



PCB Information Package Tait Orca

PCB LAYOUT - 800/900 MHz

220-01610-03

This PCB Information Package contains the following information for the 800/900 MHz Tait Orca:

- [parts list](#)
- [grids list](#)

Click on the links above or the bookmarks at the side to go to the relevant page.

Ref	IPN	Description	Ref	IPN	Description
BL301	050-10061-70	BALUN MIXER SMD 617DB-1018	C303	018-12220-10	CAP 0603 CHIP 22P 50V NPO+0.1
BL302	050-10061-70	BALUN MIXER SMD 617DB-1018	C305	018-15100-00	CAP 0603 10N 50V X7R +-10%
BL401	050-10061-70	BALUN MIXER SMD 617DB-1018	C306	018-13100-10	CAP 0603 CHIP 100P 50V NPO+1%
C1	018-16100-00	CAP0603 CHIP 100N 16V X7R+-10%	C307	018-11100-10	CAP0603 CHIP 1P0 50V NPO+0.1P
C10	018-15100-00	CAP 0603 10N 50V X7R +-10%	C309	018-11100-10	CAP0603 CHIP 1P0 50V NPO+0.1P
C101	018-11270-10	CAP0603 CHIP 2P7 50V NPO+0.1P	C310	018-12820-10	CAP 0603 CHIP 82P 50V NPO +-1%
C105	018-16100-00	CAP0603 CHIP 100N 16V X7R+-10%	C333	018-13150-00	CAP 0603 CHIP 150P 50V NPO +5%
C106	018-15100-00	CAP 0603 10N 50V X7R +-10%	C334	018-12120-10	CAP 0603 CHIP 12P 50V NPO +-1%
C108	015-07470-08	CAP 1206 4M7 -20%+80% Y5V 16V	C335	018-12150-10	CAP 0603 CHIP 15P 50V NPO +-1%
C11	018-15100-00	CAP 0603 10N 50V X7R +-10%	C336	018-11100-10	CAP0603 CHIP 1P0 50V NPO+0.1P
C110	018-16100-00	CAP0603 CHIP 100N 16V X7R+-10%	C337	018-15100-00	CAP 0603 10N 50V X7R +-10%
C114	018-14100-00	CAP 0603 1N 50V X7R +-10%	C338	018-15100-00	CAP 0603 10N 50V X7R +-10%
C116	018-14100-00	CAP 0603 1N 50V X7R +-10%	C339	018-15100-00	CAP 0603 10N 50V X7R +-10%
C117	018-14100-00	CAP 0603 1N 50V X7R +-10%	C340	018-15100-00	CAP 0603 10N 50V X7R +-10%
C119	018-16100-00	CAP0603 CHIP 100N 16V X7R+-10%	C342	018-12470-10	CAP 0603 CHIP 47P 50V NPO+0.1
C120	018-15100-00	CAP 0603 10N 50V X7R +-10%	C343	018-12180-10	CAP 0603 CHIP 18P 50V NPO +-1%
C121	015-07470-08	CAP 1206 4M7 -20%+80% Y5V 16V	C344	018-12220-10	CAP 0603 CHIP 22P 50V NPO+0.1
C122	018-14470-00	CAP 0603 CHIP 4N7 50V X7R+-10%	C345	018-12100-10	CAP 0603 CHIP 10P 50V NPO+0.1
C123	018-15100-00	CAP 0603 10N 50V X7R +-10%	C346	018-13100-10	CAP 0603 CHIP 100P 50V NPO+1%
C124	018-16100-00	CAP0603 CHIP 100N 16V X7R+-10%	C350	018-15100-00	CAP 0603 10N 50V X7R +-10%
C125	018-11820-10	CAP0603 CHIP 8P2 50V NPO+0.1P	C351	018-12150-10	CAP 0603 CHIP 15P 50V NPO +-1%
C126	018-15100-00	CAP 0603 10N 50V X7R +-10%	C352	018-12330-10	CAP 0603 CHIP 33P 50V NPO +-1%
C127	018-11820-10	CAP0603 CHIP 8P2 50V NPO+0.1P	C355	018-14100-00	CAP 0603 1N 50V X7R +-10%
C128	018-13100-10	CAP 0603 CHIP 100P 50V NPO+1%	C356	018-16100-00	CAP0603 CHIP 100N 16V X7R+-10%
C129	018-15270-00	CAP 0603 CHIP 27N 50V X7R+-10%	C357	018-16100-00	CAP0603 CHIP 100N 16V X7R+-10%
C132	018-16100-00	CAP0603 CHIP 100N 16V X7R+-10%	C358	018-16100-00	CAP0603 CHIP 100N 16V X7R+-10%
C136	018-12390-10	CAP 0603 CHIP 39P 50V NPO +-1%	C359	018-16100-00	CAP0603 CHIP 100N 16V X7R+-10%
C137	015-22180-05	CAP 0805 18P 1% 200V	C360	018-16100-00	CAP0603 CHIP 100N 16V X7R+-10%
C138	015-22120-05	CAP 0805 12P 1% 200V	C362	018-16100-00	CAP0603 CHIP 100N 16V X7R+-10%
C140	018-11270-10	CAP0603 CHIP 2P7 50V NPO+0.1P	C363	015-07470-08	CAP 1206 4M7 -20%+80% Y5V 16V
C141	018-11820-10	CAP0603 CHIP 8P2 50V NPO+0.1P	C364	014-07100-02	CAP TANT CHIP 1U0 3.2X1.6M 16V
C142	018-11820-10	CAP0603 CHIP 8P2 50V NPO+0.1P	C365	018-16100-00	CAP0603 CHIP 100N 16V X7R+-10%
C145	018-14100-00	CAP 0603 1N 50V X7R +-10%	C366	018-14100-00	CAP 0603 1N 50V X7R +-10%
C146	018-14100-00	CAP 0603 1N 50V X7R +-10%	C367	018-13180-00	CAP 0603 CHIP 180P 50V NPO+5%
C149	018-11270-10	CAP0603 CHIP 2P7 50V NPO+0.1P	C368	018-13180-00	CAP 0603 CHIP 180P 50V NPO+5%
C15	018-14100-00	CAP 0603 1N 50V X7R +-10%	C369	018-13470-00	CAP0603 CHIP 470P 50V X7R+-10%
C151	018-14100-00	CAP 0603 1N 50V X7R +-10%	C370	018-12220-10	CAP 0603 CHIP 22P 50V NPO+0.1
C154	015-22100-02	CAP 0805 10P +/-0.1P NPO 50V	C372	018-12330-10	CAP 0603 CHIP 33P 50V NPO +-1%
C155	018-11270-10	CAP0603 CHIP 2P7 50V NPO+0.1P	C375	015-07470-08	CAP 1206 4M7 -20%+80% Y5V 16V
C156	018-11820-10	CAP0603 CHIP 8P2 50V NPO+0.1P	C376	014-07100-02	CAP TANT CHIP 1U0 3.2X1.6M 16V
C16	018-13150-00	CAP 0603 CHIP 150P 50V NPO +5%	C378	018-15100-00	CAP 0603 10N 50V X7R +-10%
C163	018-13100-10	CAP 0603 CHIP 100P 50V NPO+1%	C379	018-15100-00	CAP 0603 10N 50V X7R +-10%
C164	015-22120-05	CAP 0805 12P 1% 200V	C384	018-15100-00	CAP 0603 10N 50V X7R +-10%
C165	015-22150-05	CAP 0805 15P 1% 200V	C385	018-16100-00	CAP0603 CHIP 100N 16V X7R+-10%
C166	015-21390-20	CAP CER 0805 3P9+0.25PF NPO	C4	018-14100-00	CAP 0603 1N 50V X7R +-10%
C168	015-21390-05	CAP CER 0805 3P9+0.1PFD 2	C401	018-13150-00	CAP 0603 CHIP 150P 50V NPO +5%
C170	018-13100-10	CAP 0603 CHIP 100P 50V NPO+1%	C402	018-11120-10	CAP0603 CHIP 1P2 50V NPO+0.1P
C171	015-22470-01	CAP CER 0805 47P 5% NPO 50V	C403	018-11100-10	CAP0603 CHIP 1P0 50V NPO+0.1P
C176	018-14100-00	CAP 0603 1N 50V X7R +-10%	C405	018-11270-10	CAP0603 CHIP 2P7 50V NPO+0.1P
C177	018-15100-00	CAP 0603 10N 50V X7R +-10%	C406	018-16100-00	CAP0603 CHIP 100N 16V X7R+-10%
C179	015-22120-05	CAP 0805 12P 1% 200V	C407	018-13150-00	CAP 0603 CHIP 150P 50V NPO +5%
C180	015-21180-05	CAP CER 0805 1P8 +0.1 200V	C408	018-13150-00	CAP 0603 CHIP 150P 50V NPO +5%
C182	015-21220-05	CAP CER 0805 2P2 +0.1PF 200V	C409	018-12330-10	CAP 0603 CHIP 33P 50V NPO +-1%
C183	015-21270-05	CAP CER 0805 CHIP 2P7 +0.1PF 2	C410	018-11330-10	CAP0603 CHIP 3P3 50V NPO+0.1P
C185	015-21100-05	CAP CER 0805 1P0 +0.1PF 200V	C411	018-11330-10	CAP0603 CHIP 3P3 50V NPO+0.1P
C186	015-21220-05	CAP CER 0805 2P2 +0.1PF 200V	C412	018-11270-10	CAP0603 CHIP 2P7 50V NPO+0.1P
C187	015-21220-05	CAP CER 0805 2P2 +0.1PF 200V	C413	018-13150-00	CAP 0603 CHIP 150P 50V NPO +5%
C188	015-21180-05	CAP CER 0805 1P8 +0.1 200V	C414	018-13150-00	CAP 0603 CHIP 150P 50V NPO +5%
C194	018-16100-00	CAP0603 CHIP 100N 16V X7R+-10%	C415	018-12330-10	CAP 0603 CHIP 33P 50V NPO +-1%
C195	018-13100-10	CAP 0603 CHIP 100P 50V NPO+1%	C416	018-11220-10	CAP0603 CHIP 2P2 50V NPO+0.1P
C199	018-15100-00	CAP 0603 10N 50V X7R +-10%	C417	018-11180-10	CAP0603 CHIP 1P8 50V NPO+0.1P
C2	018-15470-00	CAP 0603 CHIP 47N 16V X7R+-10%	C419	018-12330-10	CAP 0603 CHIP 33P 50V NPO +-1%
C200	018-14100-00	CAP 0603 1N 50V X7R +-10%	C420	018-11150-10	CAP0603 CHIP 1P5 50V NPO+0.1P
C201	018-16100-00	CAP0603 CHIP 100N 16V X7R+-10%	C421	018-11100-10	CAP0603 CHIP 1P0 50V NPO+0.1P
C208	015-07470-08	CAP 1206 4M7 -20%+80% Y5V 16V	C425	018-11270-10	CAP0603 CHIP 2P7 50V NPO+0.1P
C209	018-16100-00	CAP0603 CHIP 100N 16V X7R+-10%	C428	018-12330-10	CAP 0603 CHIP 33P 50V NPO +-1%
C211	018-16100-00	CAP0603 CHIP 100N 16V X7R+-10%	C5	018-15100-00	CAP 0603 10N 50V X7R +-10%
C213	018-14100-00	CAP 0603 1N 50V X7R +-10%	C502	018-16100-00	CAP0603 CHIP 100N 16V X7R+-10%
C214	018-13150-00	CAP 0603 CHIP 150P 50V NPO +5%	C504	018-16100-00	CAP0603 CHIP 100N 16V X7R+-10%
C215	018-13150-00	CAP 0603 CHIP 150P 50V NPO +5%	C505	018-16100-00	CAP0603 CHIP 100N 16V X7R+-10%
C216	018-13150-00	CAP 0603 CHIP 150P 50V NPO +5%	C506	018-16100-00	CAP0603 CHIP 100N 16V X7R+-10%
C217	018-15100-00	CAP 0603 10N 50V X7R +-10%	C506A	018-13150-00	CAP 0603 CHIP 150P 50V NPO +5%
C218	014-07100-02	CAP TANT CHIP 1U0 3.2X1.6M 16V	C512	018-12100-10	CAP 0603 CHIP 10P 50V NPO+0.1
C219	013-06330-01	CAP 330N 16V 6*4MM	C514	018-12470-10	CAP 0603 CHIP 47P 50V NPO+0.1
C220	018-15330-00	CAP 0603 CHIP 33N 50V X7R10%	C515	018-12470-10	CAP 0603 CHIP 47P 50V NPO+0.1
C222	013-06100-01	CAP 100N 5% 63V (CF 1812)	C516	018-16100-00	CAP0603 CHIP 100N 16V X7R+-10%
C223	018-13470-00	CAP0603 CHIP 470P 50V X7R+-10%	C518	018-16100-00	CAP0603 CHIP 100N 16V X7R+-10%
C226	018-16100-00	CAP0603 CHIP 100N 16V X7R+-10%	C520	018-14100-00	CAP 0603 1N 50V X7R +-10%
C229	018-14100-00	CAP 0603 1N 50V X7R +-10%	C524	018-16100-00	CAP0603 CHIP 100N 16V X7R+-10%
C240	018-16100-00	CAP0603 CHIP 100N 16V X7R+-10%	C525	018-16100-00	CAP0603 CHIP 100N 16V X7R+-10%
C241	018-15100-00	CAP 0603 10N 50V X7R +-10%	C528	018-15100-00	CAP 0603 10N 50V X7R +-10%
C242	015-07470-08	CAP 1206 4M7 -20%+80% Y5V 16V	C530	015-07470-08	CAP 1206 4M7 -20%+80% Y5V 16V
C246	018-14100-00	CAP 0603 1N 50V X7R +-10%	C532	018-16100-00	CAP0603 CHIP 100N 16V X7R+-10%
C247	014-07470-05	CAP TANT 4U7 16V 10% 1206	C534	018-15100-00	CAP 0603 10N 50V X7R +-10%
C270	018-16100-00	CAP0603 CHIP 100N 16V X7R+-10%	C535	018-16100-00	CAP0603 CHIP 100N 16V X7R+-10%
C271	018-16100-00	CAP0603 CHIP 100N 16V X7R+-10%	C536	018-16100-00	CAP0603 CHIP 100N 16V X7R+-10%
C272	018-16100-00	CAP0603 CHIP 100N 16V X7R+-10%	C540	018-15100-00	CAP 0603 10N 50V X7R +-10%
C273	018-15100-00	CAP 0603 10N 50V X7R +-10%	C542	018-16100-00	CAP0603 CHIP 100N 16V X7R+-10%
C274	018-15100-00	CAP 0603 10N 50V X7R +-10%	C543	018-16100-00	CAP0603 CHIP 100N 16V X7R+-10%
C275	018-13150-00	CAP 0603 CHIP 150P 50V NPO +5%	C544	018-16100-00	CAP0603 CHIP 100N 16V X7R+-10%
C276	018-16100-00	CAP0603 CHIP 100N 16V X7R+-10%	C548	014-18100-05	CAP TANT 10U 10V 10% 1206
C278	018-13150-00	CAP 0603 CHIP 150P 50V NPO +5%	C549	015-27100-10	CAP CER 0805 1M+80-20% Y5V 16V
C279	018-16100-00	CAP0603 CHIP 100N 16V X7R+-10%	C550	018-16100-00	CAP0603 CHIP 100N 16V X7R+-10%
C280	015-07470-08	CAP 1206 4M7 -20%+80% Y5V 16V	C551	018-16100-00	CAP0603 CHIP 100N 16V X7R+-10%
C3	018-16100-00	CAP0603 CHIP 100N 16V X7R+-10%	C553	014-18100-05	CAP TANT 10U 10V 10% 1206
C301	018-11330-10	CAP0603 CHIP 3P3 50V NPO+0.1P	C559	018-14100-00	CAP 0603 1N 50V X7R +-10%
C302	018-12220-10	CAP 0603 CHIP 22P 50V NPO+0.1	C560	015-23470-08	CAP CER 0805 470P 10% X7R 50V
			C561	018-16100-00	CAP0603 CHIP 100N 16V X7R+-10%

Ref	IPN	Description	Ref	IPN	Description
C566	018-13390-00	CAP0603 CHIP 390P 50V X7R+-10%	L300	059-14680-00	IND FXD 0603HS 6.8NH 5%
C567	015-26220-08	CAP 0805 CHIP 220N 10% X7R 16V	L301	059-14680-00	IND FXD 0603HS 6.8NH 5%
C568	018-14100-00	CAP 0603 1N 50V X7R +10%	L302	059-14470-05	IND FXD 1008CT 4.7NH 5%
C569	018-15270-00	CAP 0603 CHIP 27N 50V X7R+-10%	L304	059-14820-10	IND FXD 1008CT 8.2NH 5%
C571	018-15470-00	CAP 0603 CHIP 47N 16V X7R+-10%	L306	059-16150-05	IND FXD 0805 150NH 5%
C572	015-26100-08	CAP CER 0805 100N 10% X7R 50V	L308	059-16680-10	IND FXD 1008CS 680NH 5%
C573	018-16100-00	CAP0603 CHIP 100N 16V X7R+-10%	L316	059-16820-10	IND FXD 1008CS 820NH 5%
C574	018-15470-00	CAP 0603 CHIP 47N 16V X7R+-10%	L318	059-16820-15	IND FXD 1008CS 820NH 2%
C576	015-27100-10	CAP CER 0805 1M+80-20% Y5V 16V	L401	059-16330-05	IND FXD 0805CS 330NH 5%
C578	015-26220-08	CAP 0805 CHIP 220N 10% X7R 16V	L402	059-16330-05	IND FXD 0805CS 330NH 5%
C579	036-00000-00	RES 1206 0E 0.125W 5%	L403	059-16330-05	IND FXD 0805CS 330NH 5%
C581	018-15470-00	CAP 0603 CHIP 47N 16V X7R+-10%	L404	059-15820-00	IND FXD 0603HS 82NH 5%
C582	018-15470-00	CAP 0603 CHIP 47N 16V X7R+-10%	L405	059-15330-00	IND FXD 0603HS 33NH 5%
C583	015-27100-10	CAP CER 0805 1M+80-20% Y5V 16V	L406	059-14680-00	IND FXD 0603HS 6.8NH 5%
C588	015-07470-08	CAP 1206 4M7 -20%+80% Y5V 16V	L407	059-14680-00	IND FXD 0603HS 6.8NH 5%
C590	018-16100-00	CAP0603 CHIP 100N 16V X7R+-10%	L409	059-15180-00	IND FXD 0603HS 18NH 5%
C593	015-27100-10	CAP CER 0805 1M+80-20% Y5V 16V	L410	059-16100-00	IND FXD 0603CS 100NH 5%
C594	014-07100-02	CAP TANT CHIP 1U0 3.2X1.6M 16V	L411	059-16100-00	IND FXD 0603CS 100NH 5%
C595	015-26220-08	CAP 0805 CHIP 220N 10% X7R 16V	L412	059-14680-00	IND FXD 0603HS 6.8NH 5%
C596	015-26220-08	CAP 0805 CHIP 220N 10% X7R 16V	L413	052-57421-50	COIL A/W 5T/2.1MM SMD 0.57
C597	018-16100-00	CAP0603 CHIP 100N 16V X7R+-10%	L414	059-15150-00	IND FXD 0603CS 15NH 5%
C6	018-15100-00	CAP 0603 10N 50V X7R +10%	L415	059-15330-00	IND FXD 0603HS 33NH 5%
C608	014-07470-05	CAP TANT 4U7 16V 10% 1206	M203	539-00010-59	VCTCXO 12.8MHZ+-1.5PPM-30+75
C610	018-15100-00	CAP 0603 10N 50V X7R +10%	PL1	240-10000-14	CONN SMD 12WAY NON ZIF 1.0M
C612	018-12390-10	CAP 0603 CHIP 39P 50V NPO +-1%	Q1	000-10084-71	XSTR BC847BW NPN SOT323
C614	018-11270-10	CAP0603 CHIP 2P7 50V NPO+-0.1P	Q101	000-10085-71	XSTR SMD BC857BW PNP SOT323
C616	018-14100-00	CAP 0603 1N 50V X7R +10%	Q102	000-10938-20	XSTR MRF9382TI HI FRQ PWRfet
C618	018-14100-00	CAP 0603 1N 50V X7R +10%	Q103	000-10084-71	XSTR BC847BW NPN SOT323
C619	018-13150-00	CAP 0603 CHIP 150P 50V NPO +5%	Q109	000-10095-10	XSTR SMD BR951 NPN UHF
C635	018-16100-00	CAP0603 CHIP 100N 16V X7R+-10%	Q110	000-10084-71	XSTR BC847BW NPN SOT323
C640	018-15100-00	CAP 0603 10N 50V X7R +10%	Q112	000-10938-20	XSTR MRF9382TI HI FRQ PWRfet
C7	018-15100-00	CAP 0603 10N 50V X7R +10%	Q115	000-10085-71	XSTR SMD BC857BW PNP SOT323
C8	018-15100-00	CAP 0603 10N 50V X7R +10%	Q120	000-10085-71	XSTR SMD BC857BW PNP SOT323
C862	018-14100-00	CAP 0603 1N 50V X7R +10%	Q121	000-10084-71	XSTR BC847BW NPN SOT323
C9	018-15100-00	CAP 0603 10N 50V X7R +10%	Q121	000-10084-71	XSTR BC847BW NPN SOT323
D1	008-10000-20	LED SMD RED/GREEN SML-020	Q130	000-10085-71	XSTR SMD BC857BW PNP SOT323
D103	001-10012-50	DIODE SMD MA4P1250 PIN3X2MM	Q2	000-10084-71	XSTR BC847BW NPN SOT323
D110	001-10630-40	DIODE SMD BAR63-04	Q205	000-10084-71	XSTR BC847BW NPN SOT323
D205	001-10099-01	D BAV99W DUAL SML SIG SOT323	Q280	000-10085-71	XSTR SMD BC857BW PNP SOT323
D206	001-10099-01	D BAV99W DUAL SML SIG SOT323	Q281	000-10084-71	XSTR BC847BW NPN SOT323
D270	001-10099-01	D BAV99W DUAL SML SIG SOT323	Q3	000-10084-71	XSTR BC847BW NPN SOT323
D305	001-10015-00	DIODE SMD BAT15-099R SCHT	Q305	002-10080-00	IC UPA800T 2x 2sc5008 xstr
D402	001-10017-06	DIODE BAT17-06W SOT323	Q307	000-10084-71	XSTR BC847BW NPN SOT323
D403	001-10063-05	DIODE SMD BAR63-05W SOT323	Q309	000-10418-10	XSTR 2SC4181 N SOT323 HI B
D404	001-10043-90	DIODE SMD BB439 VCAP SOD323	Q320	000-10084-71	XSTR BC847BW NPN SOT323
D405	001-10043-90	DIODE SMD BB439 VCAP SOD323	Q321	000-10084-71	XSTR BC847BW NPN SOT323
D502	001-10056-01	DIODE BAW56W DUAL SS SOT323	Q4	000-10085-71	XSTR SMD BC857BW PNP SOT323
D504	001-10000-70	DIODE SMD BAV70 D-SW SOT23	Q400	000-10009-41	XSTR SMD BR941L SOT23
D506	001-10099-01	D BAV99W DUAL SML SIG SOT323	Q401	000-10009-41	XSTR SMD BR941L SOT23
D507	001-10099-01	D BAV99W DUAL SML SIG SOT323	Q402	000-10085-71	XSTR SMD BC857BW PNP SOT323
D508	001-10056-01	DIODE BAW56W DUAL SS SOT323	Q403	000-10085-71	XSTR SMD BC857BW PNP SOT323
IC1001	002-10091-60	IC MRFICO916 CASCADE BUFFER	Q5	000-10085-71	XSTR SMD BC857BW PNP SOT323
IC101	002-10091-60	IC MRFICO916 CASCADE BUFFER	Q502	000-10084-71	XSTR BC847BW NPN SOT323
IC102	002-11125-00	IC TK11250 5VREG 130MA	Q503	000-10085-71	XSTR SMD BC857BW PNP SOT323
IC103	002-10003-58	IC SMD LM358 DUAL O-AMP	Q504	000-10084-71	XSTR BC847BW NPN SOT323
IC201	002-11220-21	IC MC12202DT SER IP SYNTH	Q505	000-10084-71	XSTR BC847BW NPN SOT323
IC202	002-11125-00	IC TK11250 5VREG 130MA	Q506	000-10084-71	XSTR BC847BW NPN SOT323
IC203	002-10227-20	IC SMD TLC2272CD O-AMP	Q514	000-10084-71	XSTR BC847BW NPN SOT323
IC301	002-11315-00	IC MC13150 FM IF DeTeCToR	Q516	000-10085-71	XSTR SMD BC857BW PNP SOT323
IC302	002-20103-24	IC BA10324 4x OP AMP SSOP-14	Q517	000-10085-71	XSTR SMD BC857BW PNP SOT323
IC402	002-10091-60	IC MRFICO916 CASCADE BUFFER	Q518	000-10084-71	XSTR BC847BW NPN SOT323
IC501	002-11810-50	IC DS1810R-5 5V 5% MUP RESET	Q519	000-10084-71	XSTR BC847BW NPN SOT323
IC502	002-10681-10	IC MC68HC11A1CFU MICRCCTRLR	Q522	000-10084-71	XSTR BC847BW NPN SOT323
IC503	002-30000-11	ASIC COMM PLTFRM DGLT NTRL	Q524	000-10084-71	XSTR BC847BW NPN SOT323
IC504	002-12902-00	IC SST29EE020 256 FLASH MEMORY	Q527	000-10084-71	XSTR BC847BW NPN SOT323
IC506	002-11125-00	IC TK11250 5VREG 130MA	Q529	000-10085-71	XSTR SMD BC857BW PNP SOT323
IC507	002-10126-71	IC SMD DS1267E/DS1868 DIGIPOT	Q530	000-10085-71	XSTR SMD BC857BW PNP SOT323
IC508	002-16235-40	IC SMD M62354GP 8B 6CNL D-A	Q531	000-10084-71	XSTR BC847BW NPN SOT323
IC509	002-18932-10	IC SMD Z8932120FSCRXXX MA	Q532	000-10084-71	XSTR BC847BW NPN SOT323
IC510	002-11454-80	IC SMD MC145480DW PCM	Q533	000-10085-71	XSTR SMD BC857BW PNP SOT323
IC511	002-10003-24	IC SMD 324 4X O-AMP SO14	Q535	000-10085-71	XSTR SMD BC857BW PNP SOT323
IC512	002-10854-10	IC TDA8541T 1W AUDIO AMP	R1	038-13470-00	RES 0603 470E 1/16W +-5%
IC513	002-10040-53	IC 4053B SMD BREAK B4 MAKE	R10	038-13150-00	RES 0603 150E 1/16W +-5%
IC514	002-10021-00	IC PHN210 DUAL NCH EN MFET	R101	038-12100-00	RES 0603 10E 1/16W +-5%
IC515	002-10003-21	IC SMD LMV321 SNGLE OP AMP	R103	038-12100-00	RES 0603 10E 1/16W +-5%
L100	052-57418-20	COIL A/W 2T/1.8MM SMD 0.57	R105	038-13120-00	RES 0603 CHIP 120E 1/16W +-5%
L101	057-11220-02	IND 0603 BLM11A221 EMI SUPRS	R108	038-15100-00	RES 0603 10K 1/16W +-5%
L102	059-14680-00	IND FXD 0603HS 6.8NH 5%	R110	038-14470-00	RES 0603 4K7 1/16W +-5%
L103	059-14680-00	IND FXD 0603HS 6.8NH 5%	R111	038-15100-00	RES 0603 10K 1/16W +-5%
L104	057-11220-02	IND 0603 BLM11A221 EMI SUPRS	R112	038-14220-00	RES 0603 2K2 1/16W +-5%
L105	059-14680-00	IND FXD 0603HS 6.8NH 5%	R113	038-12470-00	RES 0603 47E 1/16W +-5%
L106	057-10081-06	IND 1806 BLM41P750S EMI SUP	R115	038-15100-00	RES 0603 10K 1/16W +-5%
L107	059-15100-00	IND FXD 0603HS 10NH 5%	R116	038-12270-00	RES 0603 CHIP 27E 1/16W +-5%
L111	052-57421-40	COIL A/W 4T/2.1MM SMD 0.57	R119	038-15100-00	RES 0603 10K 1/16W +-5%
L113	057-11220-02	IND 0603 BLM11A221 EMI SUPRS	R12	038-15470-00	RES 0603 47K 1/16W +-5%
L114	057-10080-06	IND BLM41-P800 1A 180HM 100MHZ	R120	038-14330-00	RES 0603 3K3 1/16W +-5%
L118	052-57418-20	COIL A/W 2T/1.8MM SMD 0.57	R121	038-14470-00	RES 0603 4K7 1/16W +-5%
L119	052-57418-20	COIL A/W 2T/1.8MM SMD 0.57	R123	038-14100-00	RES 0603 1K0 1/16W +-5%
L120	052-57418-20	COIL A/W 2T/1.8MM SMD 0.57	R124	038-15270-20	RES 0603 CHIP 27K +-0.5%
L121	059-16150-10	IND FXD 1008CT 150NH 5%	R125	038-16150-00	RES 0603 150K 1/16W +-5%
L122	059-16150-10	IND FXD 1008CT 150NH 5%	R126	038-15330-00	RES 0603 CHIP 33K 1/16W +-5%
L123	059-16150-10	IND FXD 1008CT 150NH 5%	R127	038-11470-00	RES 0603 4K7 1/16W +-5%
L202	057-11220-02	IND 0603 BLM11A221 EMI SUPRS	R128	038-11470-00	RES 0603 4E7 1/16W +-5%
L203	057-11220-02	IND 0603 BLM11A221 EMI SUPRS	R129	038-15150-00	RES 0603 15K 1/16W +-5%
L270	050-10000-40	COIL SMD DC/DC CNVTRTR	R13	038-15470-00	RES 0603 47K 1/16W +-5%

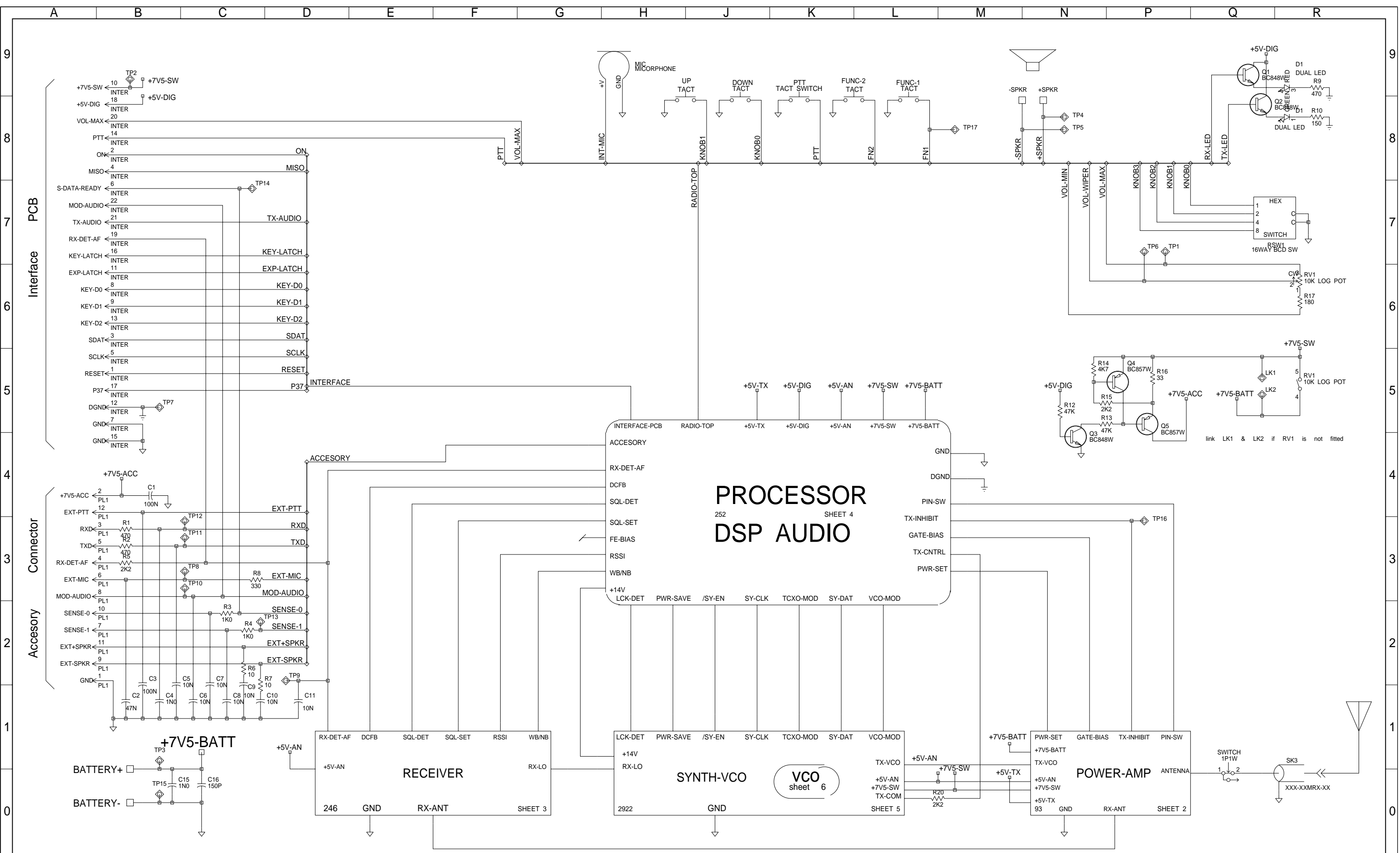
Ref	IPN	Description	Ref	IPN	Description
R130	038-15100-20	RES 0603 CHIP 10K +0.5%	R338	038-16150-00	RES 0603 150K 1/16W +5%
R14	038-14470-00	RES 0603 4K7 1/16W +5%	R339	038-17100-00	RES 0603 1M 1/16W +5%
R144	036-12270-00	RES M/F 0805 27E 5%	R340	038-14270-00	RES 0603 CHIP 2K7 1/16W +5%
R148	038-14100-00	RES 0603 1K0 1/16W +5%	R341	038-16220-00	RES 0603 220K 1/16W +5%
R15	038-14220-00	RES 0603 2K2 1/16W +5%	R342	038-16220-00	RES 0603 220K 1/16W +5%
R152	038-14100-00	RES 0603 1K0 1/16W +5%	R344	038-16560-00	RES 0603 CHIP 560K 1/16W +5%
R153	038-13100-00	RES 0603 100E 1/16W +5%	R345	038-12820-00	RES 0603 CHIP 82E 1/16W +5%
R155	038-13220-00	RES 0603 220E 1/16W +5%	R346	038-14270-00	RES 0603 CHIP 2K7 1/16W +5%
R156	036-11390-00	RES M/F 0805 3E9 5%	R347	038-13820-00	RES 0603 CHIP 820E 1/16W +5%
R157	036-11390-00	RES M/F 0805 3E9 5%	R348	038-15150-00	RES 0603 15K 1/16W +5%
R159	038-15270-20	RES 0603 CHIP 27K +0.5%	R349	045-15100-00	RES NTC SMD 10K 5%
R16	038-12330-00	RES 0603 33E 1/16W +5%	R350	038-15150-00	RES 0603 15K 1/16W +5%
R160	038-16100-00	RES 0603 100K 1/16W +5%	R351	038-16100-00	RES 0603 100K 1/16W +5%
R161	038-15470-00	RES 0603 47K 1/16W +5%	R352	038-10000-00	RES 0603 ZERO OHM 1/16W +5%
R162	038-12470-00	RES 0603 47E 1/16W +5%	R353	038-15100-00	RES 0603 10K 1/16W +5%
R163	036-12270-00	RES M/F 0805 27E 5%	R354	038-15100-00	RES 0603 10K 1/16W +5%
R164	038-15470-00	RES 0603 47K 1/16W +5%	R355	038-15470-00	RES 0603 47K 1/16W +5%
R165	038-14390-00	RES 0603 CHIP 3K9 1/16W +5%	R356	038-14470-00	RES 0603 4K7 1/16W +5%
R167	038-13680-00	RES 0603 680E 1/16W +5%	R358	038-14220-00	RES 0603 2K2 1/16W +5%
R167A	038-13680-00	RES 0603 680E 1/16W +5%	R365	038-13100-00	RES 0603 100E 1/16W +5%
R167B	038-13680-00	RES 0603 680E 1/16W +5%	R370	038-16680-00	RES 0603 CHIP 680K 1/16W +5%
R168	038-15100-20	RES 0603 CHIP 10K +0.5%	R371	038-14100-00	RES 0603 1K0 1/16W +5%
R169	038-16100-00	RES 0603 100K 1/16W +5%	R372	038-16150-00	RES 0603 150K 1/16W +5%
R17	038-13180-00	RES 0603 CHIP 180E 1/16W +5%	R373	038-15100-00	RES 0603 10K 1/16W +5%
R171	038-16470-00	RES 0603 470K 1/16W +5%	R380	038-15100-00	RES 0603 10K 1/16W +5%
R172	036-00180-04	RES 1210 0E18 0.5W 5%	R381	038-15100-00	RES 0603 10K 1/16W +5%
R173	038-16470-00	RES 0603 470K 1/16W +5%	R390	038-16330-00	RES 0603 CHIP 330K 1/16W +5%
R174	038-17100-00	RES 0603 1M 1/16W +5%	R391	038-15680-00	RES 0603 CHIP 68K 1/16W +5%
R175	038-15220-00	RES 0603 CHIP 22K 1/16W +5%	R392	045-15100-00	RES NTC SMD 10K 5%
R176	038-16100-00	RES 0603 100K 1/16W +5%	R393	038-16100-00	RES 0603 100K 1/16W +5%
R178	038-16100-00	RES 0603 100K 1/16W +5%	R394	038-15100-00	RES 0603 10K 1/16W +5%
R182	038-15100-00	RES 0603 10K 1/16W +5%	R399	038-15100-00	RES 0603 10K 1/16W +5%
R183	038-15100-00	RES 0603 10K 1/16W +5%	R4	038-14100-00	RES 0603 1K0 1/16W +5%
R2	038-13470-00	RES 0603 470E 1/16W +5%	R401	038-12220-00	RES 0603 22E 1/16W +5%
R20	038-14220-00	RES 0603 2K2 1/16W +5%	R402	038-12220-00	RES 0603 22E 1/16W +5%
R200	038-15100-00	RES 0603 10K 1/16W +5%	R403	038-14470-00	RES 0603 4K7 1/16W +5%
R201	038-15100-00	RES 0603 10K 1/16W +5%	R404	038-14220-00	RES 0603 2K2 1/16W +5%
R202	038-16220-00	RES 0603 220K 1/16W +5%	R405	038-12330-00	RES 0603 33E 1/16W +5%
R203	038-16470-00	RES 0603 470K 1/16W +5%	R406	038-13330-00	RES 0603 330E 1/16W +5%
R204	038-14100-00	RES 0603 1K0 1/16W +5%	R407	038-12220-00	RES 0603 22E 1/16W +5%
R205	038-14100-00	RES 0603 1K0 1/16W +5%	R408	038-12220-00	RES 0603 22E 1/16W +5%
R219	038-14100-00	RES 0603 1K0 1/16W +5%	R410	038-13680-00	RES 0603 680E 1/16W +5%
R221	038-12220-00	RES 0603 22E 1/16W +5%	R411	038-14150-00	RES 0603 1K5 1/16W +5%
R223	038-12470-00	RES 0603 47E 1/16W +5%	R412	038-13470-00	RES 0603 470E 1/16W +5%
R224	038-10000-00	RES 0603 ZERO OHM 1/16W +5%	R413	038-14680-00	RES 0603 6K8 1/16W +5%
R227	038-10000-00	RES 0603 ZERO OHM 1/16W +5%	R416	038-14680-00	RES 0603 6K8 1/16W +5%
R228	038-14150-00	RES 0603 1K5 1/16W +5%	R417	038-15330-00	RES 0603 CHIP 33K 1/16W +5%
R229	038-15180-00	RES 0603 CHIP 18K 1/16W	R418	038-14680-00	RES 0603 6K8 1/16W +5%
R230	038-15270-00	RES 0603 27K 1/16W +5%	R427	038-14470-00	RES 0603 4K7 1/16W +5%
R234	038-14330-00	RES 0603 3K3 1/16W +5%	R428	038-14220-00	RES 0603 2K2 1/16W +5%
R236	038-14560-00	RES 0603 5K6 1/16W +5%	R5	038-14220-00	RES 0603 2K2 1/16W +5%
R237	038-14220-00	RES 0603 2K2 1/16W +5%	R501	038-14470-00	RES 0603 4K7 1/16W +5%
R238	038-16470-00	RES 0603 470K 1/16W +5%	R502	038-16100-00	RES 0603 100K 1/16W +5%
R240	038-12470-00	RES 0603 47E 1/16W +5%	R503	038-15470-00	RES 0603 47K 1/16W +5%
R242	038-15150-00	RES 0603 15K 1/16W +5%	R504	038-15470-00	RES 0603 47K 1/16W +5%
R245	038-14220-00	RES 0603 2K2 1/16W +5%	R505	038-15470-00	RES 0603 47K 1/16W +5%
R246	038-14150-00	RES 0603 1K5 1/16W +5%	R506	038-15470-00	RES 0603 47K 1/16W +5%
R270	038-12220-00	RES 0603 22E 1/16W +5%	R507	038-15470-00	RES 0603 47K 1/16W +5%
R281	038-12220-00	RES 0603 22E 1/16W +5%	R508	038-14470-00	RES 0603 4K7 1/16W +5%
R282	038-15470-10	RES 0603 CHIP 47K 1/16W+1%	R510	038-15100-00	RES 0603 10K 1/16W +5%
R283	038-15270-00	RES 0603 27K 1/16W +5%	R511A	038-15270-20	RES 0603 CHIP 27K +0.5%
R284	038-13100-00	RES 0603 100E 1/16W +5%	R511B	045-15100-00	RES NTC SMD 10K 5%
R285	038-13330-00	RES 0603 330E 1/16W +5%	R511C	038-15100-00	RES 0603 10K 1/16W +5%
R286	038-16105-10	RES 0603 CHIP 105K 1/16W +1%	R511D	038-14470-00	RES 0603 4K7 1/16W +5%
R3	038-14100-00	RES 0603 1K0 1/16W +5%	R512	038-15100-00	RES 0603 10K 1/16W +5%
R301	038-11470-00	RES 0603 4E7 1/16W +5%	R513	038-15100-00	RES 0603 10K 1/16W +5%
R302	038-13820-00	RES 0603 CHIP 820E 1/16W +5%	R514	038-16100-00	RES 0603 100K 1/16W +5%
R303	038-13820-00	RES 0603 CHIP 820E 1/16W +5%	R515	038-15470-00	RES 0603 47K 1/16W +5%
R304	038-13100-00	RES 0603 100E 1/16W +5%	R516	038-16150-00	RES 0603 150K 1/16W +5%
R305	038-12180-00	RES 0603 CHIP 18E 1/16W +5%	R517	038-15470-00	RES 0603 47K 1/16W +5%
R306	038-13330-00	RES 0603 330E 1/16W +5%	R518	038-15270-00	RES 0603 27K 1/16W +5%
R307	038-13330-00	RES 0603 330E 1/16W +5%	R519	038-15220-00	RES 0603 CHIP 22K 1/16W +5%
R308	038-11470-00	RES 0603 4E7 1/16W +5%	R520	038-16180-00	RES 0603 CHIP 180K 1/16W +5%
R311	038-10000-00	RES 0603 ZERO OHM 1/16W +5%	R521	038-15220-00	RES 0603 CHIP 22K 1/16W +5%
R312	038-10000-00	RES 0603 ZERO OHM 1/16W +5%	R522	038-12220-00	RES 0603 22E 1/16W +5%
R313	038-15470-00	RES 0603 47K 1/16W +5%	R523	038-10000-00	RES 0603 ZERO OHM 1/16W +5%
R314	038-12470-00	RES 0603 47E 1/16W +5%	R524	038-16100-00	RES 0603 100K 1/16W +5%
R315	038-13100-00	RES 0603 100E 1/16W +5%	R525	038-15470-00	RES 0603 47K 1/16W +5%
R316	038-13680-00	RES 0603 680E 1/16W +5%	R526	038-15100-00	RES 0603 10K 1/16W +5%
R317	038-14180-00	RES 0603 CHIP 1K8 1/16W	R527	038-15470-00	RES 0603 47K 1/16W +5%
R318	038-15330-00	RES 0603 CHIP 33K 1/16W +5%	R528	038-18100-00	RES 0603 CHIP 10M 1/16W +5%
R319	038-15100-00	RES 0603 10K 1/16W +5%	R529	038-15470-00	RES 0603 47K 1/16W +5%
R320	038-10000-00	RES 0603 ZERO OHM 1/16W +5%	R530	038-14100-00	RES 0603 1K0 1/16W +5%
R321	038-14220-00	RES 0603 2K2 1/16W +5%	R530A	038-15100-00	RES 0603 10K 1/16W +5%
R323	038-16100-00	RES 0603 100K 1/16W +5%	R531	038-16100-00	RES 0603 100K 1/16W +5%
R324	038-15100-00	RES 0603 10K 1/16W +5%	R532	038-17100-00	RES 0603 1M 1/16W +5%
R325	038-14100-00	RES 0603 1K0 1/16W +5%	R534	038-16100-00	RES 0603 100K 1/16W +5%
R326	038-14150-00	RES 0603 1K5 1/16W +5%	R538	038-16100-00	RES 0603 100K 1/16W +5%
R327	038-14680-00	RES 0603 6K8 1/16W +5%	R539	038-14220-00	RES 0603 2K2 1/16W +5%
R328	038-15270-00	RES 0603 27K 1/16W +5%	R540	038-14220-00	RES 0603 2K2 1/16W +5%
R329	038-14220-00	RES 0603 2K2 1/16W +5%	R541	038-15390-00	RES 0603 CHIP 39K 1/16W +5%
R330	038-14150-00	RES 0603 1K5 1/16W +5%	R542	038-15470-00	RES 0603 47K 1/16W +5%
R331	038-13100-00	RES 0603 100E 1/16W +5%	R543	038-15220-00	RES 0603 CHIP 22K 1/16W +5%
R333	038-16820-00	RES 0603 CHIP 820K 1/16W +5%	R544	038-15470-00	RES 0603 47K 1/16W +5%
R334	038-15120-00	RES 0603 CHIP 12K 1/16W +5%	R545	038-16100-00	RES 0603 100K 1/16W +5%
R335	038-15820-00	RES 0603 82K 1/16W +5%	R546	038-14100-00	RES 0603 1K0 1/16W +5%
R336	038-15820-00	RES 0603 82K 1/16W +5%	R548	038-14270-00	RES 0603 CHIP 2K7 1/16W +5%
R337	038-10000-00	RES 0603 ZERO OHM 1/16W +5%	R549	038-10000-00	RES 0603 ZERO OHM 1/16W +5%

Ref	IPN	Description	Ref	IPN	Description
R550	038-14470-00	RES 0603 4K7 1/16W +-5%	XF302	276-10000-13	FLTR XTL 45.1MHZ 15KHZ BW
R552	038-15470-00	RES 0603 47K 1/16W +-5%	XF303	276-10000-05	FLTR CER 455KHZ 10KHZ
R554	038-15470-00	RES 0603 47K 1/16W +-5%	XF304	276-10000-05	FLTR CER 455KHZ 10KHZ
R556	038-15470-00	RES 0603 47K 1/16W +-5%	XL301	274-10016-00	XTL44.645 MHZ SMX-1S TE22
R558	038-15470-00	RES 0603 47K 1/16W +-5%	XL501	274-10011-00	XTL 16.128 MHZ +20PPM T
R560	038-15470-00	RES 0603 47K 1/16W +-5%			
R561	038-15470-00	RES 0603 47K 1/16W +-5%			
R562	038-15470-00	RES 0603 47K 1/16W +-5%			
R564	038-15470-00	RES 0603 47K 1/16W +-5%			
R565A	038-10000-00	RES 0603 ZERO OHM 1/16W +-5%			
R565B	038-10000-00	RES 0603 ZERO OHM 1/16W +-5%			
R565D	038-10000-00	RES 0603 ZERO OHM 1/16W +-5%			
R566	038-14470-00	RES 0603 4K7 1/16W +-5%			
R568	038-14470-00	RES 0603 4K7 1/16W +-5%			
R570	038-15100-00	RES 0603 10K 1/16W +-5%			
R571	038-16680-00	RES 0603 CHIP 680K 1/16W +-5%			
R572	038-10000-00	RES 0603 ZERO OHM 1/16W +-5%			
R573	038-14100-00	RES 0603 1K0 1/16W +-5%			
R574	038-17560-00	RES 0603 CHIP 5M6 1/16W +-5%			
R575	038-12220-00	RES 0603 22E 1/16W +-5%			
R576	038-15100-20	RES 0603 CHIP 10K +-0.5%			
R577	038-14680-00	RES 0603 6K8 1/16W +-5%			
R578	038-15100-00	RES 0603 10K 1/16W +-5%			
R579	038-14820-00	RES 0603 8K2 1/16W +-5%			
R580	038-14100-00	RES 0603 1K0 1/16W +-5%			
R581	038-14470-00	RES 0603 4K7 1/16W +-5%			
R582	038-15180-00	RES 0603 CHIP 18K 1/16W			
R583	038-14680-00	RES 0603 6K8 1/16W +-5%			
R585	038-17100-00	RES 0603 1M 1/16W +-5%			
R586	038-15680-00	RES 0603 CHIP 68K 1/16W +-5%			
R587	038-17100-00	RES 0603 1M 1/16W +-5%			
R588	038-15560-00	RES 0603 56K 1/16W +-5%			
R589	038-14470-00	RES 0603 4K7 1/16W +-5%			
R590	038-13470-00	RES 0603 470E 1/16W +-5%			
R591	038-15560-00	RES 0603 56K 1/16W +-5%			
R6	038-12100-00	RES 0603 10E 1/16W +-5%			
R601	038-15270-00	RES 0603 27K 1/16W +-5%			
R602	038-14150-00	RES 0603 1K5 1/16W +-5%			
R603	038-17100-00	RES 0603 1M 1/16W +-5%			
R604	038-15330-00	RES 0603 CHIP 33K 1/16W +-5%			
R606	038-15470-10	RES 0603 CHIP 47K 1/16W+-1%			
R608	038-14330-00	RES 0603 3K3 1/16W +-5%			
R610	038-14150-00	RES 0603 1K5 1/16W +-5%			
R614	038-15470-00	RES 0603 47K 1/16W +-5%			
R615	038-15470-00	RES 0603 47K 1/16W +-5%			
R616	038-15270-00	RES 0603 27K 1/16W +-5%			
R617	038-15220-00	RES 0603 CHIP 22K 1/16W +-5%			
R618	038-15100-00	RES 0603 10K 1/16W +-5%			
R620	038-13100-00	RES 0603 100E 1/16W +-5%			
R631	038-15220-00	RES 0603 CHIP 22K 1/16W +-5%			
R632	038-15120-00	RES 0603 CHIP 12K 1/16W +-5%			
R633	038-16330-00	RES 0603 CHIP 330K 1/16W +-5%			
R634	038-14470-00	RES 0603 4K7 1/16W +-5%			
R635	038-15470-00	RES 0603 47K 1/16W +-5%			
R639	038-15470-00	RES 0603 47K 1/16W +-5%			
R640	038-16100-00	RES 0603 100K 1/16W +-5%			
R641	038-15270-00	RES 0603 27K 1/16W +-5%			
R642	038-15470-00	RES 0603 47K 1/16W +-5%			
R643	038-15470-00	RES 0603 47K 1/16W +-5%			
R644	038-15220-00	RES 0603 CHIP 22K 1/16W +-5%			
R646	038-15100-00	RES 0603 10K 1/16W +-5%			
R647	038-16220-00	RES 0603 220K 1/16W +-5%			
R648	038-15470-00	RES 0603 47K 1/16W +-5%			
R649	038-14470-00	RES 0603 4K7 1/16W +-5%			
R650	038-14470-00	RES 0603 4K7 1/16W +-5%			
R652	038-17221-10	RES 0603 CHIP 2M21 16W +-1%			
R653	038-15470-00	RES 0603 47K 1/16W +-5%			
R654	038-16100-00	RES 0603 100K 1/16W +-5%			
R655	038-15470-00	RES 0603 47K 1/16W +-5%			
R656	038-14220-00	RES 0603 2K2 1/16W +-5%			
R657	038-16180-00	RES 0603 CHIP 180K 1/16W +-5%			
R658	038-15470-00	RES 0603 47K 1/16W +-5%			
R672	038-17100-00	RES 0603 1M 1/16W +-5%			
R674	038-17100-00	RES 0603 1M 1/16W +-5%			
R676	038-17100-00	RES 0603 1M 1/16W +-5%			
R678	038-16220-00	RES 0603 220K 1/16W +-5%			
R679	038-15100-00	RES 0603 10K 1/16W +-5%			
R685	038-14100-00	RES 0603 1K0 1/16W +-5%			
R685A	038-15470-00	RES 0603 47K 1/16W +-5%			
R686	038-14100-00	RES 0603 1K0 1/16W +-5%			
R686A	038-15470-00	RES 0603 47K 1/16W +-5%			
R687	038-14100-00	RES 0603 1K0 1/16W +-5%			
R688	038-17100-00	RES 0603 1M 1/16W +-5%			
R689	038-13470-00	RES 0603 470E 1/16W +-5%			
R690	038-15100-00	RES 0603 10K 1/16W +-5%			
R691	038-14100-00	RES 0603 1K0 1/16W +-5%			
R692	038-15470-00	RES 0603 47K 1/16W +-5%			
R693	038-15470-00	RES 0603 47K 1/16W +-5%			
R694	038-15470-00	RES 0603 47K 1/16W +-5%			
R695	038-15470-00	RES 0603 47K 1/16W +-5%			
R7	038-12100-00	RES 0603 10E 1/16W +-5%			
R8	038-13330-00	RES 0603 330E 1/16W +-5%			
R9	038-13470-00	RES 0603 470E 1/16W +-5%			
SF1002	277-10947-50	FLTR SAFC947.5MC90T SAW			
SF1003	277-10947-50	FLTR SAFC947.5MC90T SAW			
XF301	276-10000-12	FLTR XTL 45.1MHZ 12KHZ BW			

Device	PCB	Circuit	Device	PCB	Circuit	Device	PCB	Circuit	Device	PCB	Circuit
BL301	2:G6	3-H6	C209	1:D5	5-E8	C385	2:L6	3-P1	C608	2:C6	4-P6
BL302	2:G6	3-J6	C211	1:D6	5-F8	C401	1:F6	6-B8	C610	2:B6	4-R7
BL401	2:E6	6-F4	C213	1:F6	5-F8	C402	1:F6	6-B7	C612	2:B6	4-R6
			C214	1:E5	5-F7	C403	1:F6	6-B7	C614	2:B6	4-S6
C1	1:L3	1-B4	C215	1:E5	5-G7	C405	2:F6	6-C7	C616	2:C6	4-S6
C2	1:K2	1-B1	C216	1:E5	5-G7	C406	1:F6	6-A6	C618	2:C6	4-S6
C3	1:K2	1-B2	C217	1:D6	5-F5	C407	2:F6	6-B6	C619	1:A6	4-W7
C4	1:K2	1-B1	C218	1:E6	5-H5	C408	1:F6	6-D6	C635	1:A6	4-K0
C5	1:K3	1-B2	C219	1:D6	5-H6	C409	2:E5	6-K4	C640	2:E4	4-U2
C6	1:K2	1-C1	C220	1:E6	5-H6	C410	2:E6	6-C4	C862	1:H5	2-D3
C7	1:K2	1-C2	C222	1:E6	5-H5	C411	2:E6	6-D4			
C8	1:K3	1-C1	C223	1:E5	5-J6	C412	2:E6	6-E3	D1	2:L3	1-R9
C9	1:K3	1-C2	C226	1:E5	5-K5	C413	2:E6	6-E4	D1	2:L3	1-R8
C10	1:J3	1-C1	C229	1:G6	5-B3	C414	2:E6	6-D5	D103	2:J2	2-N3
C11	1:K1	1-D1	C240	1:H6	5-B3	C415	2:E5	6-F5	D110	2:J3	2-N1
C15	1:H4	1-B0	C241	1:G6	5-C3	C416	2:E5	6-G4	D110	2:J3	2-N1
C16	1:H3	1-C0	C242	1:H6	5-C3	C417	1:F5	6-L3	D205	1:D5	5-H8
C101	1:G5	2-A2	C246	1:E6	5-F3	C419	2:E4	6-K2	D205	1:D5	5-H8
C105	1:J4	2-H8	C247	1:D6	5-G3	C420	1:F5	6-K3	D206	1:D6	5-G3
C106	2:H4	2-G3	C270	2:A3	7-C4	C421	1:F5	6-L5	D206	1:D6	5-H3
C108	2:H4	2-J5	C271	1:A4	7-D4	C422	2:E5	6-K3	D270	2:A2	7-G4
C110	1:H5	2-F4	C272	2:A3	7-E4	C425	1:F5	6-L4	D270	2:A2	7-G5
C114	2:G5	2-H3	C273	2:A3	7-E5	C426	1:F5	6-L3	D305	2:G6	3-H6
C116	1:H3	2-J5	C274	1:A2	7-D5	C428	1:F5	6-L5	D402	2:E5	6-F4
C117	2:F4	2-Q7	C275	2:A2	7-F5	C502	1:F4	4-D9	D402	2:E5	6-F4
C119	1:H4	2-J8	C276	2:A2	7-G5	C504	1:F4	4-E9	D403	2:E4	6-K3
C120	1:H6	2-M7	C278	2:A2	7-G4	C505	1:D4	4-A5	D403	2:E4	6-K4
C121	1:H6	2-N7	C279	1:A4	7-H4	C506	2:D3	4-B5	D404	2:F6	6-C7
C122	1:J4	2-H7	C280	1:A2	7-J4	C506A	2:E3	4-A5	D405	2:E6	6-C6
C123	1:H6	2-N7	C301	2:J4	3-B6	C512	2:D3	4-C3	D502	2:E2	4-G5
C124	1:H6	2-P7	C302	2:J3	3-B6	C514	2:D3	4-C3	D502	2:E2	4-G6
C125	2:H5	2-G2	C303	2:J4	3-B6	C515	2:E3	4-C3	D504	2:B1	4-J7
C126	2:H3	2-L4	C304	2:J4	3-C6	C516	2:E3	4-D3	D504	2:B1	4-J7
C127	2:H4	2-G2	C305	2:H5	3-D7	C518	1:D1	4-E2	D506	2:C6	4-P6
C128	1:J3	2-R6	C306	2:J5	3-D7	C520	1:G2	4-T0	D506	2:C6	4-P6
C129	1:G4	2-L8	C307	2:J4	3-E6	C524	2:B2	4-J6	D507	1:G2	4-S0
C132	2:H3	2-L5	C309	2:G6	3-J6	C525	2:C1	4-I7	D507	1:G2	4-S0
C136	1:G5	2-B2	C310	2:F6	3-K6	C528	2:A1	4-K6	D508	2:C4	4-R2
C137	2:G5	2-H2	C332	1:J6	3-K6	C530	2:A2	4-K6	D508	2:C4	4-R2
C138	2:G4	2-H2	C333	1:J6	3-M6	C532	2:B6	4-J4			
C140	1:H5	2-D2	C334	1:J6	3-M6	C534	2:B6	4-K4	IC101	1:G5	2-C2
C141	2:G3	2-J3	C335	1:J6	3-M6	C535	1:H1	4-T0	IC102	1:H6	2-N7
C142	2:G3	2-J2	C336	1:J6	3-N6	C536	1:H1	4-T0	IC103	1:J3	2-Q6
C145	1:H5	2-F2	C337	1:K6	3-N6	C540	2:A6	4-L3	IC103	1:J3	2-K7
C146	1:G5	2-D2	C338	1:K6	3-N7	C542	2:B6	4-H2	IC103	1:J3	2-H7
C149	1:G5	2-A2	C339	1:K6	3-P6	C543	1:B4	4-H2	IC201	1:D5	5-E6
C151	1:H5	2-F4	C340	1:K6	3-N7	C544	2:B6	4-J1	IC202	1:G6	5-C3
C154	2:G4	2-J2	C342	1:K6	3-P6	C548	2:B6	4-L0	IC203	1:E5	5-J5
C155	1:H5	2-F2	C343	1:K6	3-Q6	C549	1:A6	4-M0	IC203	1:E5	5-B6
C156	2:H5	2-G2	C344	1:K5	3-R6	C550	1:B6	4-L0	IC203	1:E5	5-G6
C157	2:H5	2-G2	C345	1:K5	3-R6	C551	1:A6	4-M0	IC301	2:K5	3-E2
C163	2:H2	2-L3	C346	1:K5	3-R6	C553	1:A5	4-M0	IC301	2:K5	3-G1
C164	2:G2	2-K2	C350	1:J5	3-B1	C559	1:C5	4-L1	IC301	2:K5	3-B2
C165	2:G2	2-K2	C351	2:K6	3-B1	C560	2:A6	4-M1	IC302	1:L5	3-M1
C166	2:G2	2-L2	C352	2:K6	3-B2	C561	1:C6	4-N1	IC302	1:L5	3-N1
C167	2:G2	2-L2	C355	2:K3	3-E2	C566	2:C6	4-N1	IC302	1:L5	3-N2
C168	2:G2	2-L2	C356	2:K6	3-E3	C567	1:C5	4-N2	IC302	1:L5	3-L2
C169	2:H2	2-M2	C357	2:K6	3-E3	C568	2:C6	4-N2	IC302	1:L5	3-Q3
C170	2:J1	2-M3	C358	2:K6	3-F3	C569	1:C5	4-O1	IC402	2:E4	6-G3
C171	2:H2	2-M3	C359	2:K4	3-G2	C571	2:A6	4-O0	IC501	2:D2	4-A9
C176	2:J2	2-P3	C360	2:K4	3-G2	C572	2:C5	4-P1	IC502	1:F2	4-D7
C177	1:H5	2-N3	C362	2:K6	3-K3	C573	1:G1	4-S1	IC503-FB	1:C2	4-A0
C179	2:J2	2-P3	C363	2:K6	3-K3	C574	2:C5	4-P0	IC503-FA	1:E4	4-A0
C180	2:J2	2-P2	C364	2:K4	3-K1	C576	2:C5	4-P1	IC503	1:D3	4-A4
C182	2:J2	2-P2	C365	2:K3	3-G3	C578	2:C5	4-Q1	IC503	1:D3	4-D3
C183	2:K2	2-P2	C366	2:K6	3-L2	C579	1:C5	4-N0	IC504	1:C3	4-D1
C185	2:K2	2-Q3	C367	2:L4	3-M2	C581	1:G1	4-R0	IC506	2:B1	4-K7
C186	2:K2	2-Q2	C368	2:L4	3-M2	C582	1:A4	4-R1	IC507	1:B6	4-Q3
C187	2:K2	2-Q2	C369	2:L6	3-N2	C583	2:C4	4-S2	IC507	1:B6	4-L2
C188	2:K2	2-R2	C370	2:L4	3-M2	C588	2:C4	4-S0	IC507	1:B6	4-H2
C194	2:F4	2-J4	C372	2:L6	3-P2	C590	2:C6	4-T0	IC508	2:A6	4-J3
C195	2:J3	2-N0	C375	2:L6	3-Q3	C593	1:J2	4-P8	IC509	1:B2	4-I0
C199	2:G3	2-K3	C376	2:L5	3-Q2	C594	1:H2	4-P8	IC510	1:B5	4-J0
C200	1:E4	5-B6	C378	2:L4	3-Q3	C595	1:H2	4-P7	IC511	1:C6	4-Q6
C201	2:D5	5-C8	C379	1:L5	3-Q1	C596	1:K1	4-Q8	IC511	1:C6	4-N1
C208	1:D5	5-E8	C384	2:K6	3-L0	C597	1:H2	4-R7	IC511	1:C6	4-R6

Device	PCB	Circuit	Device	PCB	Circuit	Device	PCB	Circuit	Device	PCB	Circuit
IC511	1:C6	4-O6	Q5	1:K6	1-P5	R125	1:G4	2-L8	R316	1:K6	3-N7
IC511	1:C6	4-T0	Q101	1:G4	2-G5	R126	1:G4	2-L8	R317	1:K6	3-N7
IC512	1:J2	4-Q7	Q102	2:G5	2-H2	R127	2:H3	2-L4	R318	1:K6	3-N7
IC513	1:C5	4-O0	Q103	1:H4	2-G4	R128	1:H5	2-F4	R319	1:K6	3-N6
IC513	1:C5	4-M2	Q109	1:H5	2-E2	R129	1:H6	2-P8	R320	1:J6	3-L7
IC513	1:C5	4-Q1	Q110	1:G4	2-L8	R130	1:J3	2-K7	R321	1:K6	3-P7
IC513	1:C5	4-R0	Q112	2:G3	2-K2	R144	1:H5	2-E2	R323	1:K5	3-B1
IC514	1:J1	4-R8	Q115	1:H4	2-J8	R148	1:H5	2-E2	R324	2:K6	3-C1
IC514	1:J1	4-R7	Q120	2:H3	2-M0	R152	1:H5	2-E3	R325	1:J5	3-B1
IC515	1:G1	4-S0	Q121	1:H3	2-L6	R153	1:J4	2-J8	R326	2:K3	3-C2
IC1001	2:J4	3-C6	Q130	1:J4	2-J8	R155	1:G4	2-G5	R327	2:K3	3-D2
			Q205	1:D6	5-G3	R156	1:G4	2-H5	R328	2:K3	3-D2
L100	2:G5	2-H3	Q280	1:A3	7-D5	R157	1:G4	2-H5	R329	2:K3	3-D3
L101	1:H5	2-E3	Q281	2:A2	7-F5	R159	1:H3	2-J6	R330	2:K3	3-E2
L102	1:G5	2-B2	Q305	1:K6	3-P6	R160	2:H3	2-M0	R331	2:K6	3-K3
L103	1:G5	2-D2	Q305	1:K6	3-P7	R161	2:G3	2-J4	R333	2:K4	3-J0
L104	1:H5	2-E5	Q307	2:K3	3-D2	R162	2:G3	2-J3	R334	2:K4	3-J0
L105	1:G5	2-A2	Q309	2:L6	3-P2	R163	2:G3	2-J2	R335	2:K4	3-J0
L106	2:H3	2-L4	Q320	1:L5	3-R2	R164	2:H3	2-M0	R336	2:K6	3-K0
L107	1:H5	2-E3	Q321	2:L3	3-R1	R165	2:H4	2-M0	R337	2:L4	3-M2
L111	2:H2	2-L3	Q400	2:E6	6-D4	R167	2:J3	2-N0	R338	2:K6	3-L2
L113	1:G5	2-D3	Q401	1:F6	6-B7	R167A	2:J3	2-P0	R339	2:L6	3-P2
L114	2:G4	2-H4	Q402	1:F5	6-J6	R167B	2:J3	2-P0	R340	2:L4	3-M2
L118	2:J2	2-P3	Q403	1:F5	6-K6	R168	1:H3	2-J6	R341	2:L4	3-M1
L119	2:K2	2-Q3	Q502	2:E3	4-C3	R169	1:J4	2-J7	R342	2:L5	3-N2
L120	2:K2	2-Q3	Q503	2:C1	4-H7	R171	1:J3	2-K7	R344	2:L6	3-P2
L121	2:J2	2-N3	Q504	2:C1	4-I6	R172	1:G3	2-J5	R345	2:L6	3-P3
L122	2:J4	2-N1	Q505	2:D1	4-I6	R173	1:J3	2-K6	R346	2:L6	3-P3
L123	2:J3	2-N1	Q506	2:A4	4-Q5	R174	1:J4	2-H6	R347	2:L6	3-P2
L202	1:D6	5-F9	Q514	2:C5	4-P1	R175	1:H4	2-J8	R348	2:L6	3-P2
L203	1:G6	5-B3	Q516	2:C4	4-R1	R176	1:H4	2-J8	R349	2:K3	3-R1
L270	2:A3	7-E4	Q517	2:C4	4-R2	R178	1:H4	2-J8	R350	2:L4	3-R1
L300	2:J4	3-B6	Q518	2:C5	4-S0	R182	1:J4	2-K8	R351	2:L4	3-Q1
L301	2:J4	3-B6	Q519	2:C4	4-S1	R183	1:J4	2-K8	R352	1:L5	3-Q1
L302	2:J4	3-C6	Q522	1:J2	4-P7	R200	1:E5	5-A6	R353	2:L5	3-M0
L304	2:J5	3-D7	Q524	1:H2	4-P7	R201	1:E6	5-A7	R354	2:L5	3-M1
L306	2:F6	3-K6	Q527	2:A5	4-N0	R202	1:E5	5-A6	R355	2:L4	3-Q3
L308	1:J6	3-K6	Q529	2:A5	4-M0	R203	1:E5	5-B6	R356	2:L6	3-R3
L309	1:J6	3-L6	Q530	1:A5	4-L0	R204	1:E5	5-B7	R358	2:L4	3-L1
L310	1:K6	3-N6	Q531	2:F4	4-J5	R205	2:D5	5-C7	R365	2:L6	3-N1
L311	1:G6	3-J7	Q532	2:A5	4-N0	R219	1:D6	5-E7	R370	2:L5	3-M2
L316	1:K5	3-R6	Q533	2:E4	4-I5	R221	1:D5	5-D9	R371	2:L5	3-N2
L318	1:K5	3-B1	Q535	2:F4	4-K6	R223	1:D5	5-E8	R372	2:K6	3-L2
L401	1:F6	6-B8				R224	1:D6	5-E8	R373	2:L5	3-N2
L402	2:F6	6-D7	R1	1:K2	1-B3	R227	1:E5	5-F5	R380	2:L5	3-L3
L403	2:F6	6-D7	R2	1:K3	1-B3	R228	1:E6	5-G5	R381	2:L5	3-L2
L404	2:E6	6-D4	R3	1:K2	1-C2	R229	1:D6	5-G5	R390	1:L5	3-R2
L405	2:E6	6-E4	R4	1:J2	1-C2	R230	1:D6	5-G5	R391	2:L4	3-R2
L406	2:E6	6-E4	R5	1:K2	1-B3	R234	1:D5	5-H7	R392	2:L5	3-R2
L407	1:F5	6-L3	R6	1:K3	1-C2	R236	1:E6	5-H6	R393	2:L3	3-R1
L408	1:F5	6-L3	R7	1:J3	1-C2	R237	1:E6	5-H5	R394	2:K3	3-R2
L409	2:E4	6-J4	R8	1:K2	1-C3	R238	1:E5	5-H6	R399	2:L3	3-R1
L410	1:F5	6-K5	R9	2:L3	1-R9	R240	1:E5	5-J5	R401	1:F6	6-B9
L411	1:F5	6-K5	R10	2:L3	1-R8	R242	1:G6	5-B2	R402	1:F6	6-B8
L412	1:F5	6-L5	R12	2:J6	1-N5	R245	1:E6	5-F3	R403	1:F6	6-A8
L413	2:F6	6-B7	R13	1:K6	1-P5	R246	1:D6	5-G3	R404	1:F6	6-A6
L414	1:F5	6-L5	R14	1:L6	1-N5	R270	1:A4	7-D4	R405	1:F6	6-B6
L415	2:E4	6-K4	R15	1:L6	1-P5	R281	1:A4	7-D4	R406	2:F6	6-B6
LK1	2:L6	1-Q5	R16	1:K6	1-P5	R282	1:A3	7-D5	R407	2:E6	6-D7
LK2	2:L6	1-Q5	R17	2:L6	1-R6	R283	2:B2	7-F5	R408	2:F6	6-D7
LP106	2:G5	2-H2	R20	1:C6	1-M0	R284	2:A3	7-G5	R410	2:E6	6-D5
LP115	2:G1	2-L3	R101	1:G5	2-B2	R285	1:A3	7-H5	R411	2:E5	6-G5
LP116	2:G2	2-K3	R103	1:G5	2-B2	R286	1:A3	7-H5	R412	2:E4	6-K2
LP121	2:G4	2-J2	R105	1:G5	2-B2	R301	2:J6	3-F6	R413	1:F5	6-J5
LP130	2:H5	2-G2	R108	1:H4	2-G7	R302	2:J6	3-F6	R416	1:F5	6-K6
LP405	2:F6	6-B6	R110	1:G4	2-G4	R303	2:J6	3-F6	R417	1:F5	6-J7
LP406	2:F6	6-B6	R111	1:G4	2-G4	R304	2:H5	3-D8	R418	1:F6	6-J7
			R112	1:G4	2-G4	R305	2:H6	3-G6	R427	2:E6	6-C4
M203	2:D6	5-C6	R113	2:H4	2-G3	R306	2:H6	3-G6	R428	2:E6	6-C3
			R115	1:J3	2-K6	R307	2:H6	3-G6	R501	2:D1	4-B9
PL1	1:K2	1-K0	R116	2:H5	2-G2	R308	2:H5	3-D7	R502	2:B1	4-I7
			R119	1:J3	2-K7	R311	1:G6	3-J8	R503	2:E2	4-G9
Q1	2:L2	1-Q9	R120	1:J4	2-H8	R312	1:G6	3-J7	R504	1:E1	4-C9
Q2	2:L2	1-Q8	R121	1:H3	2-L6	R313	2:F4	2-M4	R505	2:E2	4-G9
Q3	1:K6	1-N4	R123	1:H6	2-M7	R314	2:F6	3-J6	R506	2:F3	4-A8
Q4	1:L6	1-P5	R124	1:J3	2-L7	R315	1:K6	3-N8	R507	1:E1	4-D9

Device	PCB	Circuit	Device	PCB	Circuit	Device	PCB	Circuit	Device	PCB	Circuit
R508	2:F3	4-D9	R591	1:C5	4-O1	TP10	1:C4	1-C3			
R509	2:C1	4-H7	R594	2:B6	4-L0	TP11	1:H2	1-C3			
R510	1:F4	4-E9	R601	2:A6	4-O0	TP12	1:H1	1-C3			
R511A	2:F1	4-G8	R602	2:C5	4-P1	TP13	1:H1	1-C2			
R511B	1:F4	4-I6	R603	1:A6	4-O0	TP14	1:L1	1-C7			
R511C	1:F4	4-K6	R604	2:C5	4-P1	TP15	1:H2	1-B0			
R511D	2:F1	4-G8	R606	2:C5	4-P0	TP16	1:D4	1-P3			
R512	2:B2	4-J7	R608	2:C5	4-Q1	TP17	1:L1	1-M8			
R513	2:E3	4-D6	R610	2:C5	4-Q1				XF301	1:J6	3-M6
R514	2:F3	4-H7	R614	2:C4	4-R2				XF302	1:K5	3-Q6
R515	2:F2	4-G9	R615	2:C4	4-S2				XF303	1:K4	3-C2
R516	2:F3	4-H7	R616	2:C4	4-S1				XF304	1:K4	3-F2
R517	2:F1	4-G9	R617	1:C6	4-N2				XL301	1:J5	3-B1
R518	2:B1	4-H6	R618	2:C5	4-S0				XL501	2:D4	4-C3
R519	2:C1	4-I7	R620	2:C6	4-T0						
R520	2:B1	4-J6	R630	1:A6	4-K0						
R521	2:C2	4-I7	R631	1:A6	4-K0						
R522	2:D1	4-H6	R632	1:A5	4-L0						
R523	1:D1	4-C1	R633	2:A5	4-M0						
R524	2:C1	4-H7	R634	2:A6	4-N0						
R525	2:F1	4-H9	R635	2:A5	4-L0						
R526	2:E2	4-H6	R639	1:H1	4-O7						
R527	2:F2	4-H9	R640	1:J1	4-P7						
R528	2:E3	4-C3	R641	1:H2	4-P7						
R529	2:F1	4-H9	R642	1:J2	4-O7						
R530	2:E3	4-D3	R643	1:J1	4-P8						
R530A	2:E3	4-D3	R644	1:J2	4-P8						
R531	2:B5	4-P3	R646	1:K1	4-Q8						
R532	2:A5	4-K3	R647	1:K1	4-Q8						
R534	2:A5	4-K3	R648	1:K1	4-Q8						
R538	2:C2	4-I7	R649	2:B6	4-P6						
R539	1:H2	4-T0	R650	2:C6	4-R6						
R540	1:H2	4-T0	R652	1:A5	4-M0						
R541	1:G1	4-S1	R653	1:C6	4-O6						
R542	1:G1	4-S0	R654	2:C6	4-P6						
R543	1:G2	4-R0	R655	2:C6	4-P6						
R544	2:C4	4-Q2	R656	2:C6	4-P6						
R545	2:A4	4-R5	R657	2:B6	4-Q6						
R546	2:A6	4-M3	R658	2:C6	4-Q6						
R548	2:B6	4-L3	R672	2:B6	4-R6						
R549	2:A6	4-K3	R674	2:B6	4-S6						
R550	2:B6	4-K3	R676	2:C6	4-S6						
R552	1:C2	4-G1	R678	2:C6	4-S6						
R554	1:C2	4-H1	R679	1:K1	4-S6						
R556	1:C2	4-G1	R685	1:D4	4-V3						
R558	1:B4	4-H1	R685A	1:E4	4-U3						
R560	1:B4	4-G1	R686	1:D4	4-V3						
R561	1:B4	4-H1	R686A	1:E4	4-U3						
R562	1:B4	4-G1	R687	1:D4	4-V2						
R564	1:B4	4-H1	R688	2:E4	4-U2						
R565	2:B6	4-J1	R689	2:E4	4-V2						
R565A	2:F3	4-J2	R690	1:D3	4-V5						
R565B	2:F4	4-J2	R691	1:E4	4-V5						
R565D	1:F4	4-J1	R692	2:E3	4-I5						
R566	1:B2	4-I2	R693	2:E3	4-J5						
R568	1:A4	4-J2	R694	2:F3	4-J6						
R570	2:B6	4-L1	R695	2:F3	4-K6						
R571	2:A6	4-L1	RSW1	1:L4	1-R7						
R572	2:A6	4-L1	RV1	1:L6	1-R5						
R573	1:G1	4-R1	RV1	1:L6	1-R6						
R574	2:A6	4-L1									
R575	1:A6	4-L0	SF1002	2:J5	3-E6						
R576	1:C6	4-M1	SF1002A	2:J5	3-E7						
R577	1:A6	4-M0	SF1003	2:H6	3-G6						
R578	1:A6	4-M0	SF1003A	2:H6	3-G7						
R579	1:C6	4-M0	SK3	1:L2	1-R0						
R580	2:B6	4-L1									
R581	1:C5	4-N0	TP1	1:L6	1-P7						
R582	2:B6	4-L1	TP2	1:L6	1-B9						
R583	1:C6	4-N1	TP3	1:L6	1-B1						
R585	1:C5	4-M2	TP4	1:L6	1-N8						
R586	2:C6	4-N2	TP5	1:L3	1-N8						
R587	1:C5	4-O1	TP6	1:L2	1-P7						
R588	2:C6	4-N2	TP7	1:A4	1-B5						
R589	1:C6	4-O1	TP8	1:L1	1-C3						
R590	1:C6	4-O2	TP9	1:L3	1-D2						



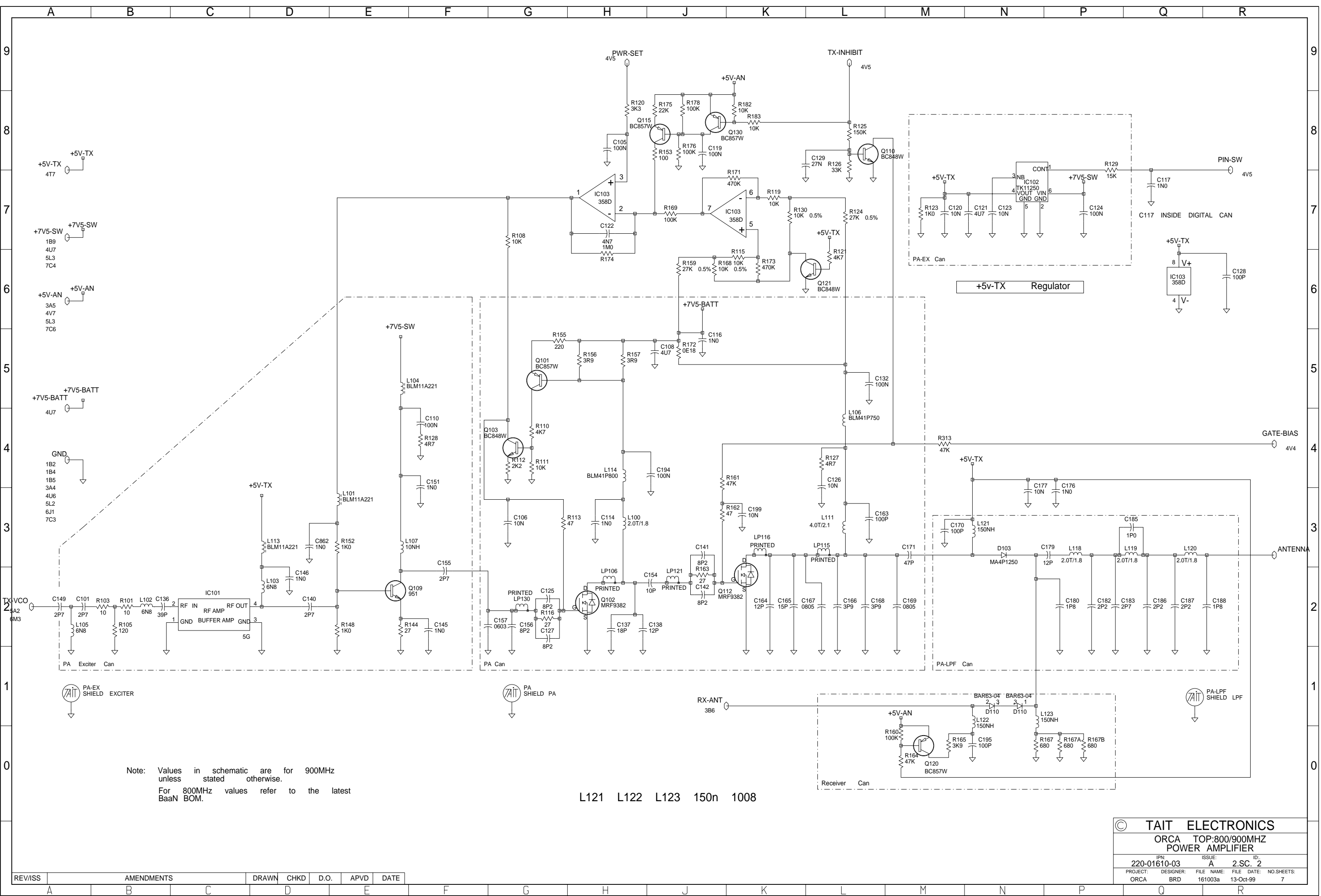
03A	CCN NO.1610/003	BRD			13/10-99
02D	REGENERATE PLC & PLA FILES	CCN	No.1610-002	TS	05-10-99
02C	4 SP.PINS NOW SMD, SEALS NONSMD	CCN	No.1610-001	TS	17-09-99
02B	REFRESHED SAFC957/860 & 0E18U	BRD			02/07/99
REV/ISS	AMENDMENTS	DRAWN	CHKD	D.O.	APVD DATE



© **TAIT ELECTRONICS**
ORCA TOP:800/900MHZ SYSTEM DIAGRAM

IPN: 220-01610-03 ISSUE: A ID: 2.SC. 1

PROJECT: ORCA DESIGNER: BRD FILE NAME: 161003a FILE DATE: 13-Oct-99 NO.SHEETS: 7

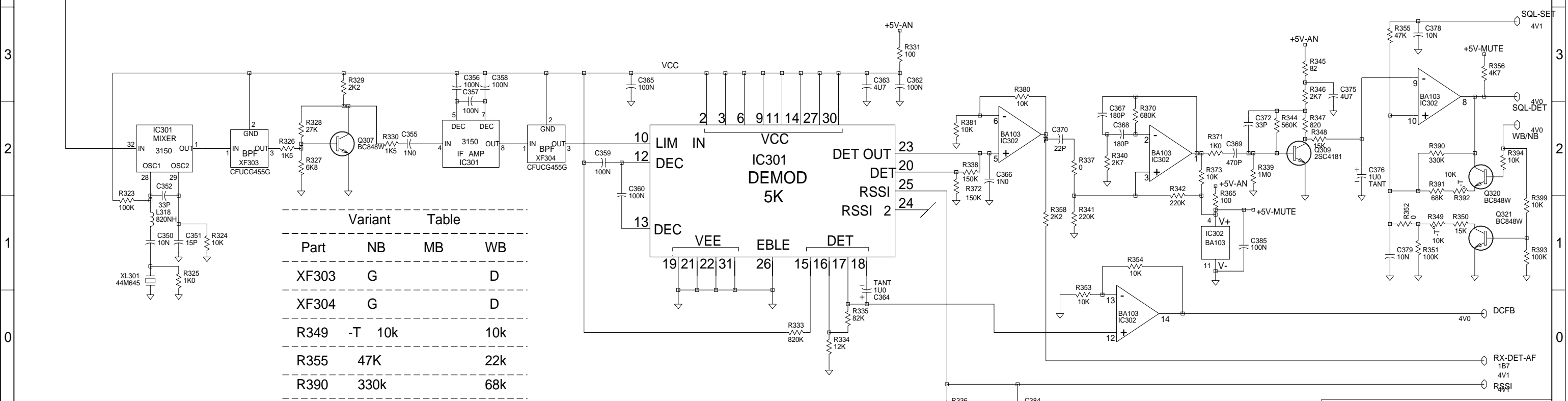
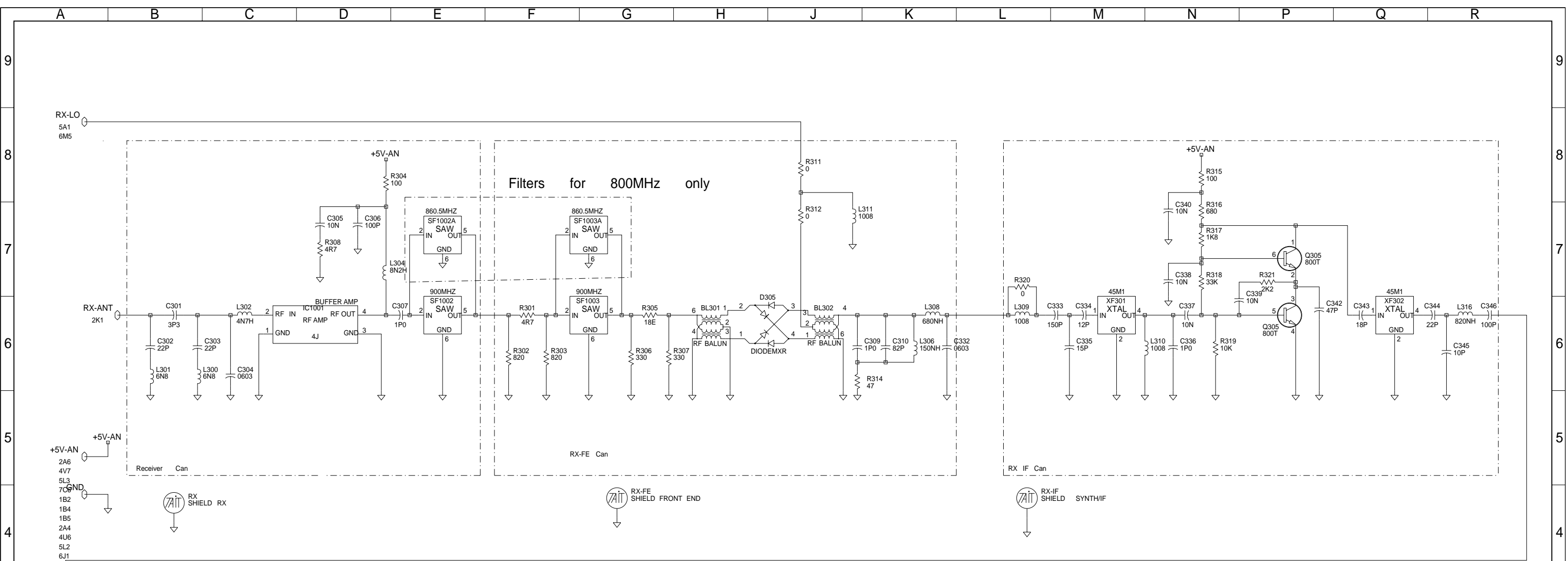


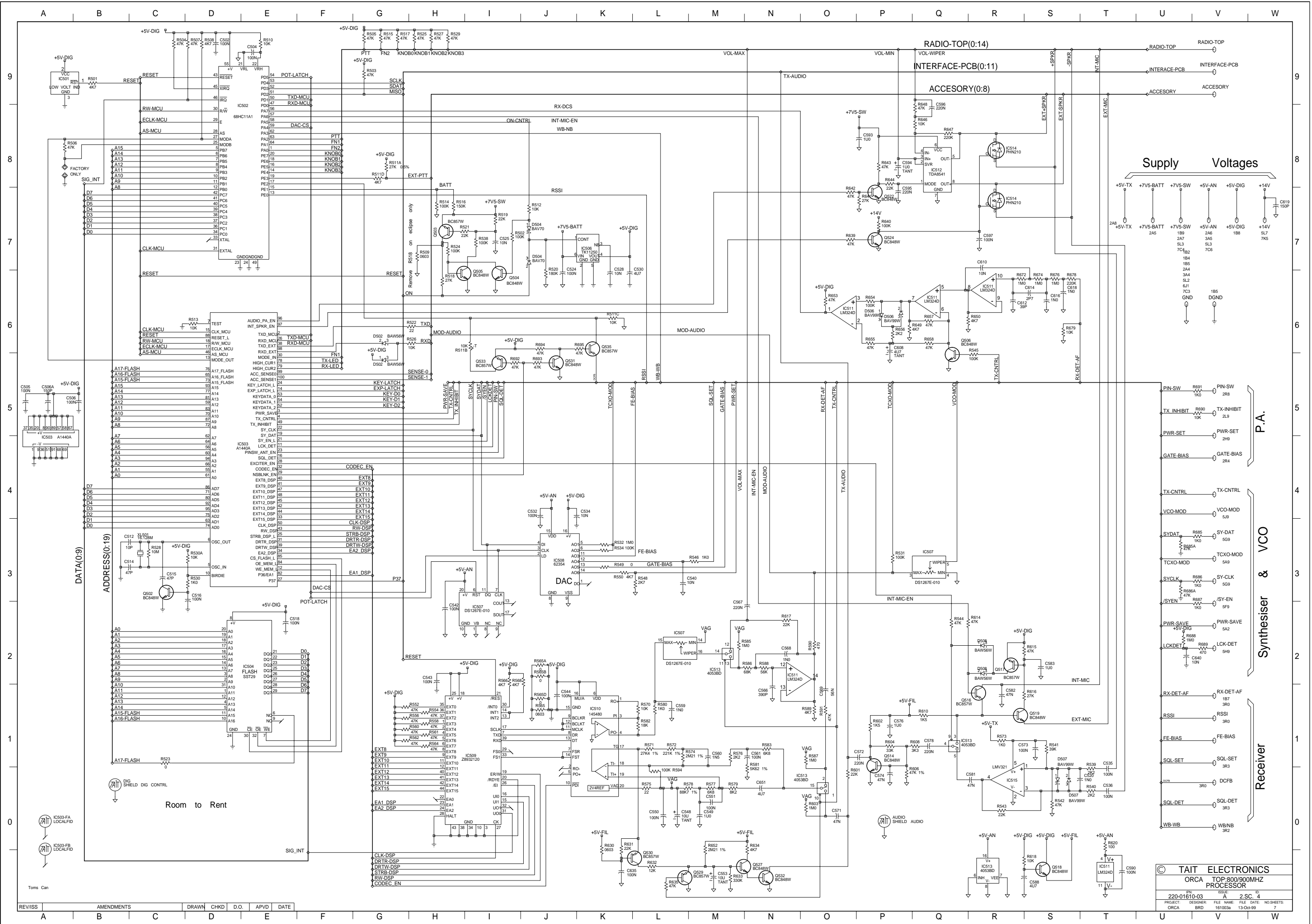
Note: Values in schematic are for 900MHz unless stated otherwise.
For 800MHz values refer to the latest BaaN BOM.

L121 L122 L123 150n 1008

© TAIT ELECTRONICS			
ORCA TOP:800/900MHZ POWER AMPLIFIER			
IPN: 220-01610-03	ISSUE: A	ID: 2.SC. 2	
PROJECT: ORCA	DESIGNER: BRD	FILE NAME: 161003a	FILE DATE: 13-Oct-99
			NO.SHEETS: 7

REV/ISS	AMENDMENTS	DRAWN	CHKD	D.O.	APVD	DATE
A						





© TAIT ELECTRONICS
 ORCA TOP-800/900MHz
 PROCESSOR
 220-01610-03
 ORCA BRD 161003A 13-Oct-99 7

REV/ISS	AMENDMENTS	DRAWN	CHKD	D.O.	APVD	DATE
A	B	C	D	E	F	G

Toms Can

IC503-FA LOCAL/FID
 IC503-FB LOCAL/FID

Room to Rent

IC503-FA LOCAL/FID
 IC503-FB LOCAL/FID

IC503-FA LOCAL/FID
 IC503-FB LOCAL/FID

IC503-FA LOCAL/FID
 IC503-FB LOCAL/FID

IC503-FA LOCAL/FID
 IC503-FB LOCAL/FID

IC503-FA LOCAL/FID
 IC503-FB LOCAL/FID

IC503-FA LOCAL/FID
 IC503-FB LOCAL/FID

IC503-FA LOCAL/FID
 IC503-FB LOCAL/FID

IC503-FA LOCAL/FID
 IC503-FB LOCAL/FID

IC503-FA LOCAL/FID
 IC503-FB LOCAL/FID

IC503-FA LOCAL/FID
 IC503-FB LOCAL/FID

IC503-FA LOCAL/FID
 IC503-FB LOCAL/FID

IC503-FA LOCAL/FID
 IC503-FB LOCAL/FID

IC503-FA LOCAL/FID
 IC503-FB LOCAL/FID

IC503-FA LOCAL/FID
 IC503-FB LOCAL/FID

IC503-FA LOCAL/FID
 IC503-FB LOCAL/FID

IC503-FA LOCAL/FID
 IC503-FB LOCAL/FID

IC503-FA LOCAL/FID
 IC503-FB LOCAL/FID

IC503-FA LOCAL/FID
 IC503-FB LOCAL/FID

IC503-FA LOCAL/FID
 IC503-FB LOCAL/FID

IC503-FA LOCAL/FID
 IC503-FB LOCAL/FID

IC503-FA LOCAL/FID
 IC503-FB LOCAL/FID

IC503-FA LOCAL/FID
 IC503-FB LOCAL/FID

IC503-FA LOCAL/FID
 IC503-FB LOCAL/FID

IC503-FA LOCAL/FID
 IC503-FB LOCAL/FID

IC503-FA LOCAL/FID
 IC503-FB LOCAL/FID

IC503-FA LOCAL/FID
 IC503-FB LOCAL/FID

IC503-FA LOCAL/FID
 IC503-FB LOCAL/FID

IC503-FA LOCAL/FID
 IC503-FB LOCAL/FID

IC503-FA LOCAL/FID
 IC503-FB LOCAL/FID

IC503-FA LOCAL/FID
 IC503-FB LOCAL/FID

IC503-FA LOCAL/FID
 IC503-FB LOCAL/FID

IC503-FA LOCAL/FID
 IC503-FB LOCAL/FID

IC503-FA LOCAL/FID
 IC503-FB LOCAL/FID

IC503-FA LOCAL/FID
 IC503-FB LOCAL/FID

IC503-FA LOCAL/FID
 IC503-FB LOCAL/FID

IC503-FA LOCAL/FID
 IC503-FB LOCAL/FID

IC503-FA LOCAL/FID
 IC503-FB LOCAL/FID

IC503-FA LOCAL/FID
 IC503-FB LOCAL/FID

IC503-FA LOCAL/FID
 IC503-FB LOCAL/FID

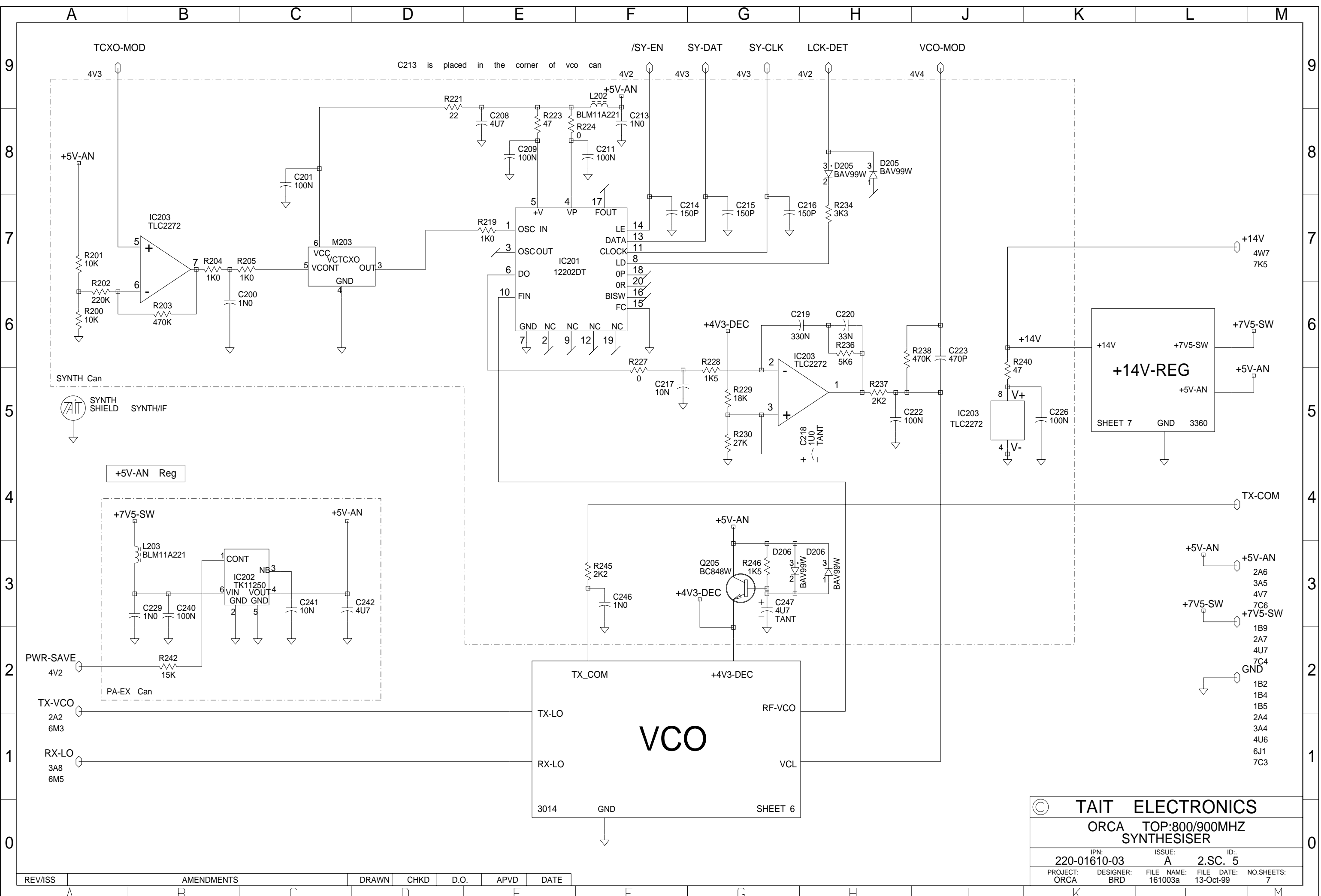
IC503-FA LOCAL/FID
 IC503-FB LOCAL/FID

IC503-FA LOCAL/FID
 IC503-FB LOCAL/FID

IC503-FA LOCAL/FID
 IC503-FB LOCAL/FID

IC503-FA LOCAL/FID
 IC503-FB LOCAL/FID

IC503-FA LOCAL/FID
 IC503-FB LOCAL/FID



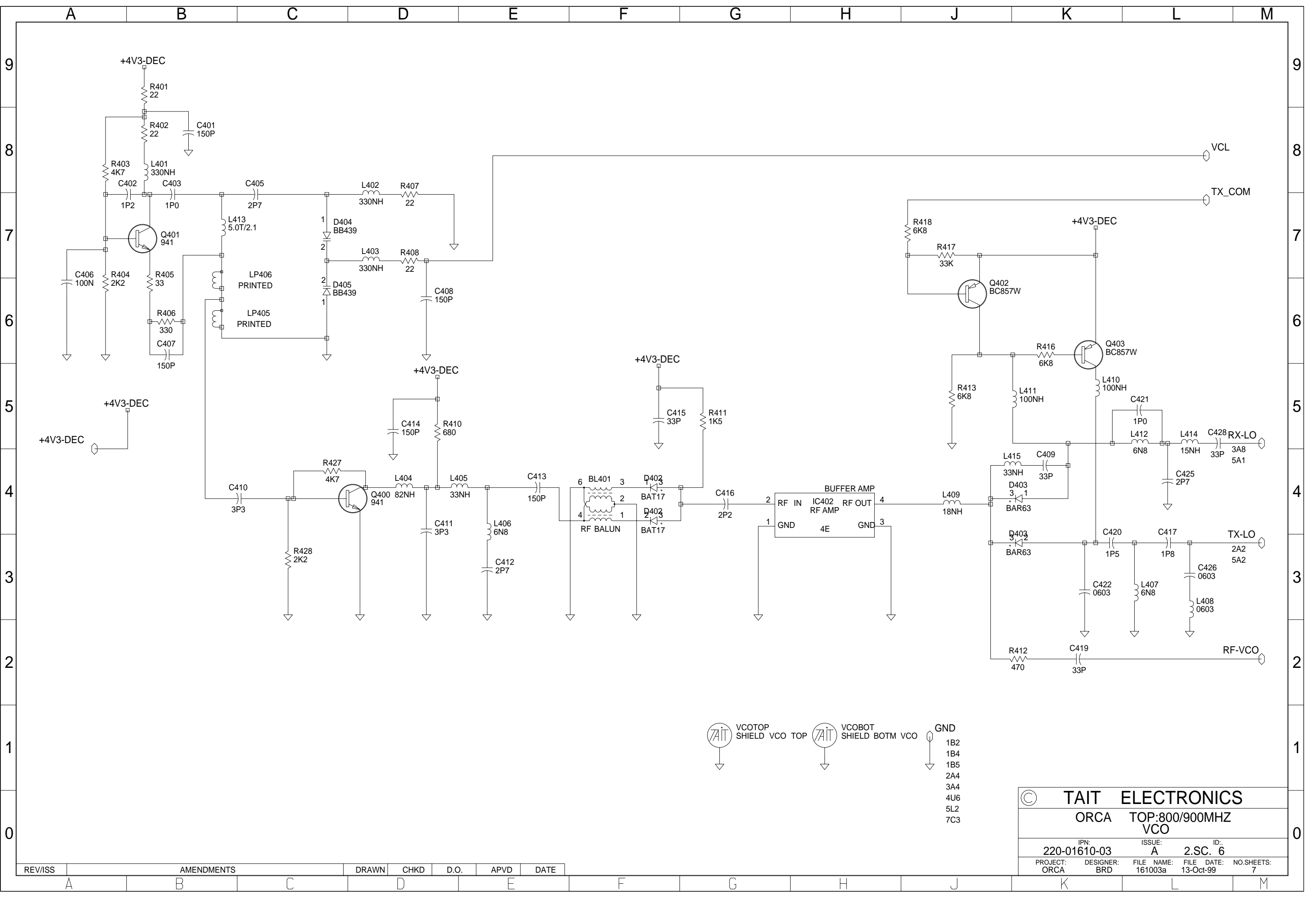
C213 is placed in the corner of vco can

+14V-REG
SHEET 7
GND 3360

VCO
SHEET 6
3014 GND

© TAIT ELECTRONICS				
ORCA TOP:800/900MHZ SYNTHESIZER				
IPN:	ISSUE:	ID:		
220-01610-03	A	2.SC. 5		
PROJECT:	DESIGNER:	FILE NAME:	FILE DATE:	NO.SHEETS:
ORCA	BRD	161003a	13-Oct-99	7

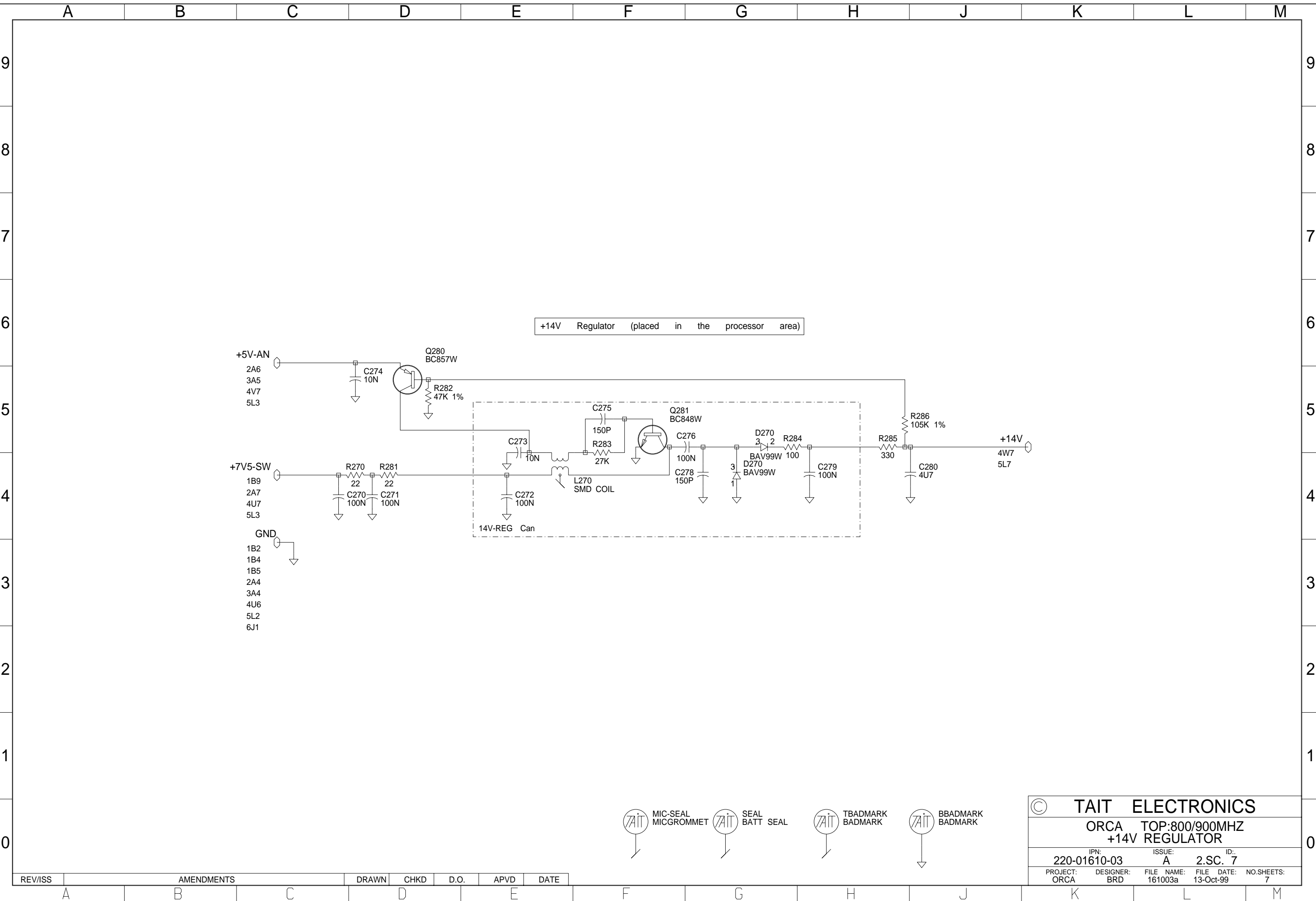
REV/ISS	AMENDMENTS	DRAWN	CHKD	D.O.	APVD	DATE



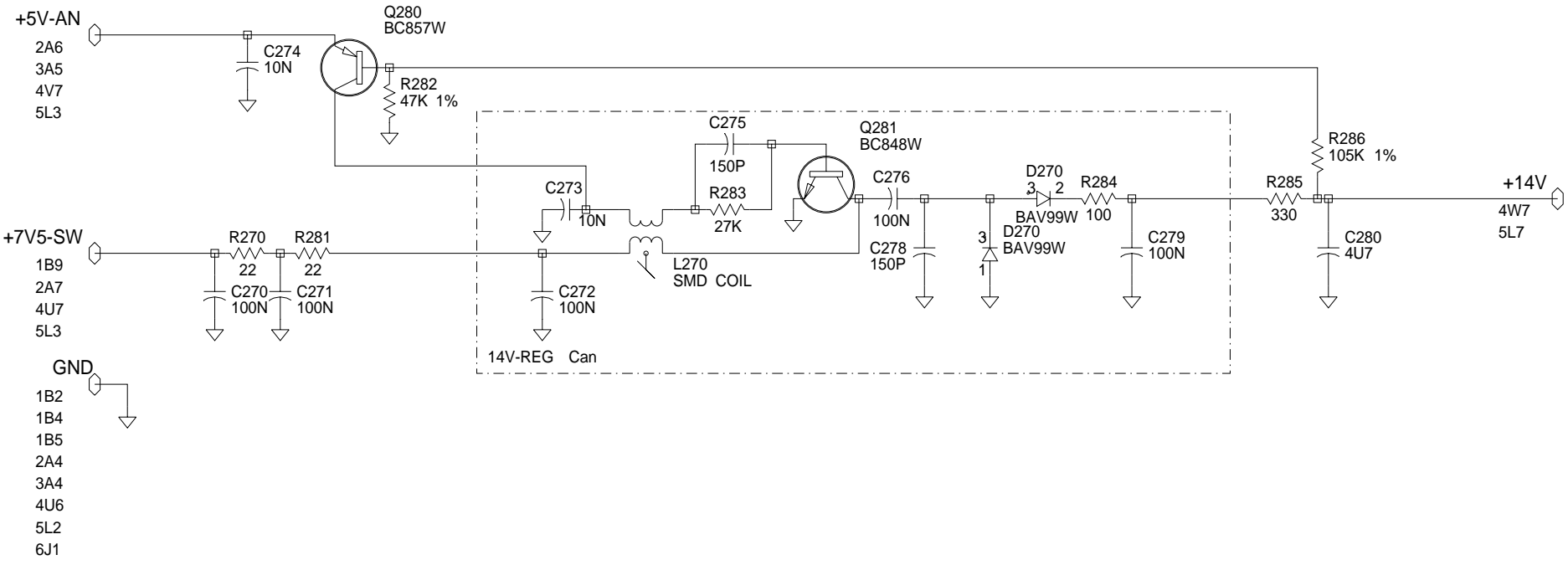
REV/ISS	AMENDMENTS	DRAWN	CHKD	D.O.	APVD	DATE

© TAIT ELECTRONICS
 ORCA TOP:800/900MHZ VCO
 IPN: 220-01610-03 ISSUE: A ID: 2.SC. 6
 PROJECT: ORCA DESIGNER: BRD FILE NAME: 161003a FILE DATE: 13-Oct-99 NO.SHEETS: 7





- VCOTOP SHIELD VCO TOP
- VCOBOT SHIELD BOTM VCO
- GND
- 1B2
- 1B4
- 1B5
- 2A4
- 3A4
- 4U6
- 5L2
- 7C3



+14V Regulator (placed in the processor area)

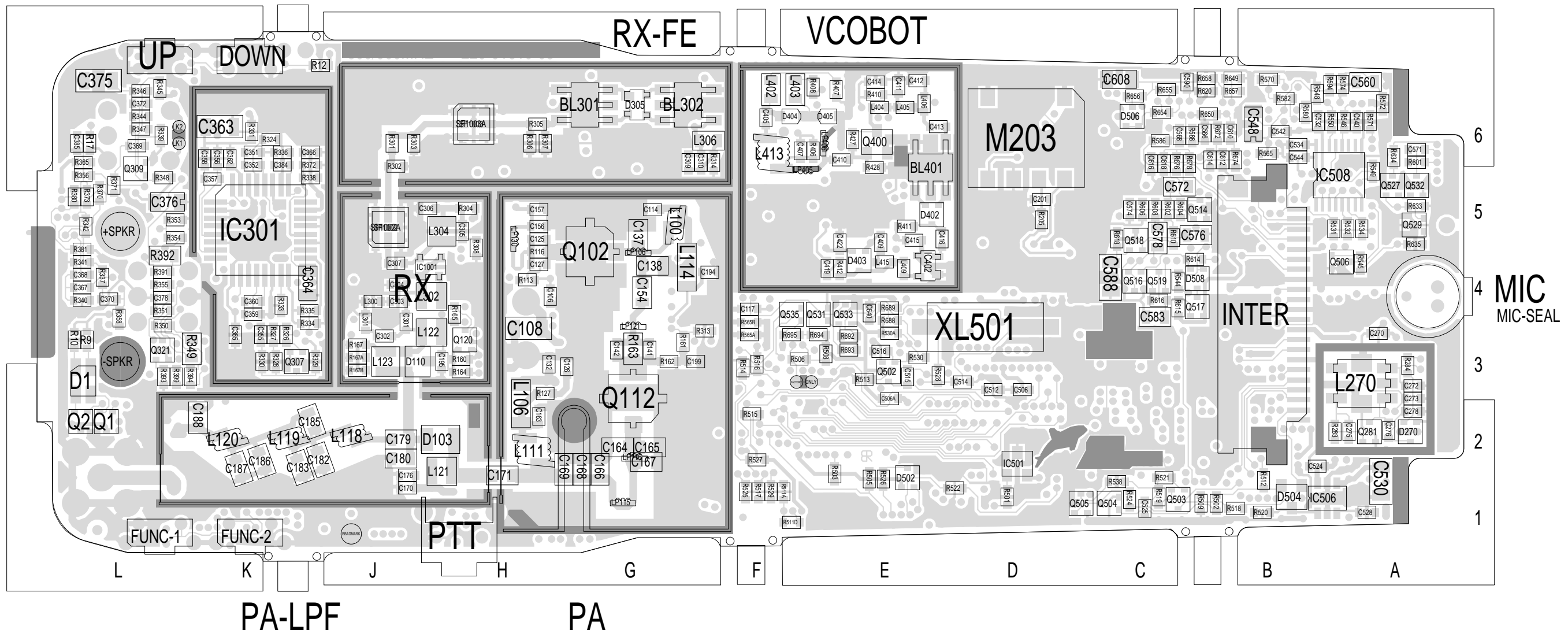


- +7V5-SW**
 1B9
 2A7
 4U7
 5L3
- GND**
 1B2
 1B4
 1B5
 2A4
 3A4
 4U6
 5L2
 6J1

-  MIC-SEAL
MICGROMMET
-  SEAL
BATT SEAL
-  TBADMARK
BADMARK
-  BBADMARK
BADMARK

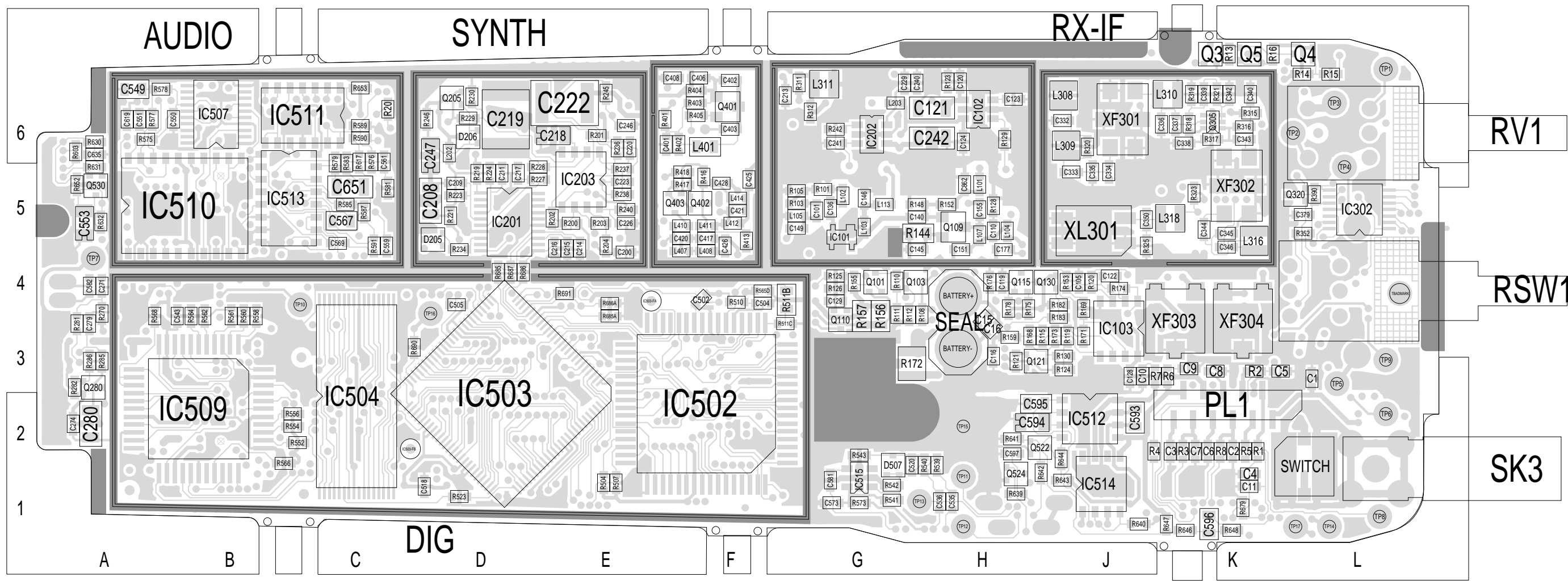
© TAIT ELECTRONICS				
ORCA TOP:800/900MHZ +14V REGULATOR				
IPN: 220-01610-03		ISSUE: A		ID: 2.SC. 7
PROJECT: ORCA	DESIGNER: BRD	FILE NAME: 161003a	FILE DATE: 13-Oct-99	NO.SHEETS: 7

REV/ISS	AMENDMENTS	DRAWN	CHKD	D.O.	APVD	DATE



TAIT ELECTRONICS	IPN: 220-01610-03	ISS: -03	ID: 6.BA	DATE: 13 Oct 1999
800/900MHZ PCB LAYOUT - BOTTOM SIDE				

Scale: 2.3:1 ; Rotation: 0 degrees



TAIT ELECTRONICS IPN: 220-01610-03 ISS: -03 ID: 1.TA DATE: 13 Oct 1999
 800/900MHZ PCB LAYOUT - TOP SIDE